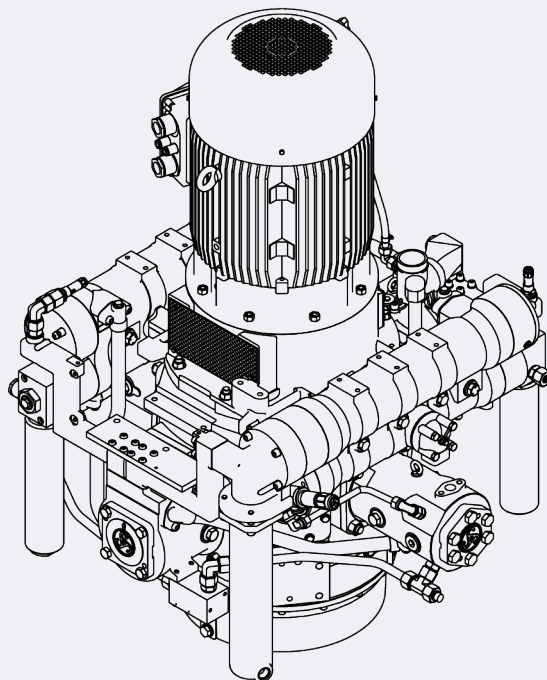




Sauer Compressors



- *High pressure compressor*
- *Sea-water-cooled*

SPARE PARTS CATALOGUE

Sauer-Compressors
Type: WP5000N
Order no. 41013675 | Series: 5000

Dependable up to 500 bar – anywhere, anytime, anygas.



Sauer Compressors

Original document
Edition: 16 / 09 / 2019
Edited by: Sauer USA – Technical Documentation

TABLE OF CONTENTS

Table of contents

1	Foreword	5
2	Layout and content of the spare parts catalogue	7
3	Sauer-Service	9
4	Standard assemblies	11
4.1	066005/* Compressor unit (1/2).....	12
4.2	066005 Compressor unit (2/2).....	14
4.3	065089 Compressor (1/2).....	16
4.4	065089 Compressor (2/2).....	18
4.5	061885 Crankcase assembly.....	20
4.6	061848 Crankshaft assembly.....	22
4.7	062177 Connecting rod assembly compression stage 1....	24
4.8	061662 Connecting rod assembly compression stage 2....	26
4.9	061660 Connecting rod assembly, compression stage 3, 4.....	28
4.10	062495 Piston assembly compression stage 1.....	30
4.11	061768 Piston assembly compression stage 2.....	32
4.12	065090 Piston assembly compression stage 3.....	34
4.13	062234 Piston assembly compression stage 4.....	36
4.14	064937 Cylinder assembly compression stage 1.....	38
4.15	061872 Cylinder assembly compression stage 2.....	40
4.16	061828 Cylinder assembly compression stage 3.....	42
4.17	062232 Cylinder assembly compression stage 4.....	44
4.18	062654 Cooler compression stages 1, 4.....	46
4.19	062655 Cooler compression stages 2, 3.....	48
4.20	065092 Pressure line (1/3).....	50
4.21	065092 Pressure line (2/3).....	52
4.22	065092 Pressure line (3/3).....	54
4.23	061958 Condensate separator compression stage 1, 2....	56
4.24	064817 Condensate separator compression stage 3.....	58
4.25	064869 Condensate separator compression stage 4.....	60
4.26	065318 Cooling water piping compressor (1/2).....	62
4.27	065318 Cooling water piping compressor (2/2).....	64
4.28	065093/* Lubricating oil piping assembly.....	66
4.29	061902 Oil pump drive.....	68
4.30	065347 Crankcase vent.....	70
4.31	065854 Oil filler.....	72
4.32	065565 Pipeline compression stage 4.....	74
4.33	065381 Air filter assembly.....	76
4.34	065633 Compressor unit cooling water piping.....	78
4.35	065632 Cooling water thermostatic valve.....	80
4.36	065385 Pneumatic drain valve assembly.....	82
4.37	061078 Pneumatic drain valve.....	84
4.38	062802 Earth.....	86
5	Index	89



Sauer Compressors

1

Foreword

The spare parts catalogue contains all maintenance components described in the maintenance instructions, along with other parts that are critical for operation and optional spare parts.



Sauer Compressors

2 Layout and content of the spare parts catalogue

Layout of the spare parts catalogue

The content is sorted by assemblies.

Explanation of captions in spare parts catalogue:

Standard assemblies, optional assemblies, optional loose accessories

The header contains the following information:

- Part number
- Designation of the assembly

Specifications in the parts list

Item no.	Part no.	Designation	Quantity
Item number of the component in the graphical representation	Number under which the component can be ordered from Sauer-Service	Designation of the component	Quantity of this component in the respective assembly



Sauer Compressors

3

Sauer-Service

In case of technical questions and any queries regarding spare parts orders, maintenance and repairs, contact Sauer-Service.

For any enquiries to Sauer-Service, have the following specifications for the Sauer-Compressor to hand:

- Compressor type
- Serial number
- Year of construction

These specifications can be found on the nameplate on the crankcase of the Sauer-Compressor.

Contact

Postal address:	Sauer Compressors USA 245 Log Canoe Circle Stevensville, MD 21666
Telephone (international):	410-604-3142
E-mail:	service@sauerusa.com
Web:	www.sauerusa.com



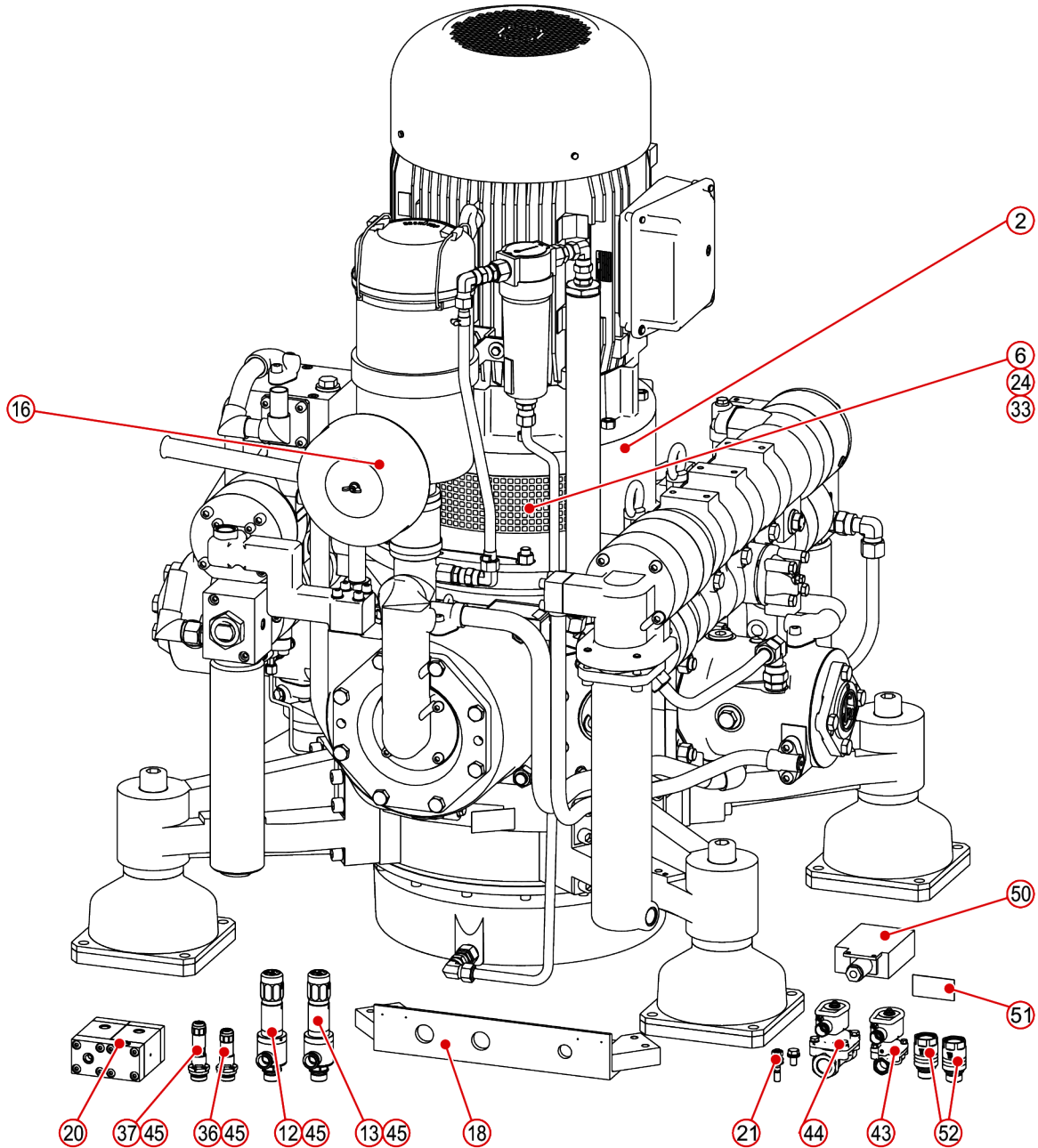
Sauer Compressors

4 Standard assemblies



4.1

066005/* Compressor unit (1/2)



STANDARD ASSEMBLIES

066005/* Compressor unit (1/2)

Item no.	Part no.	Designation	Quantity
2	062197	Bell-housing	1
6	062361	Cover sheet	1
12	041019	Safety valve compression stage 3	1
13	041010	Final pressure safety valve	1
16	065381	Air filter assembly	1
18	064945	Mount	1
20	065385	Pneumatic drain valve	1
21	062802	Earth	1
24	000013	Hexagon head screw	4
33	002146	Washer	4
36	041975	Safety valve compression stage 1	1
37	041979	Safety valve compression stage 2	1
43	1)	Solenoid drain valve	1
44	2)	Solenoid drain valve	1
45	005016	Ring gasket	4
50	035299	Pressure switch	1
51	056772	Nameplate	1
52	041257	Adaptor	2

1) Part no.: 035162 → The solenoid drain valve contains a coil: 035163

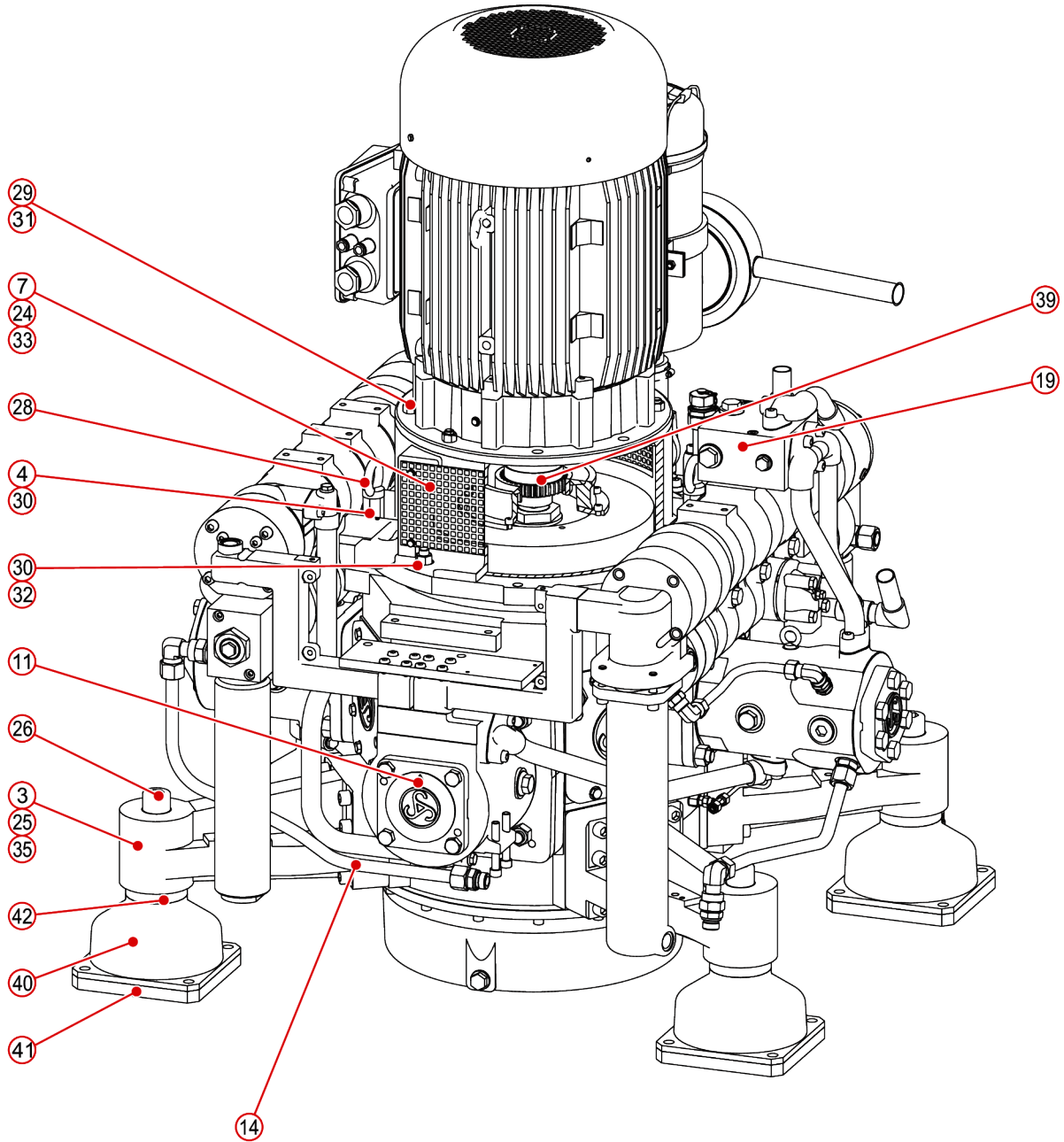
2) Part no.: 035991 → The solenoid drain valve contains a coil: 035163

The electric motor is not supplied.



4.2

066005 Compressor unit (2/2)



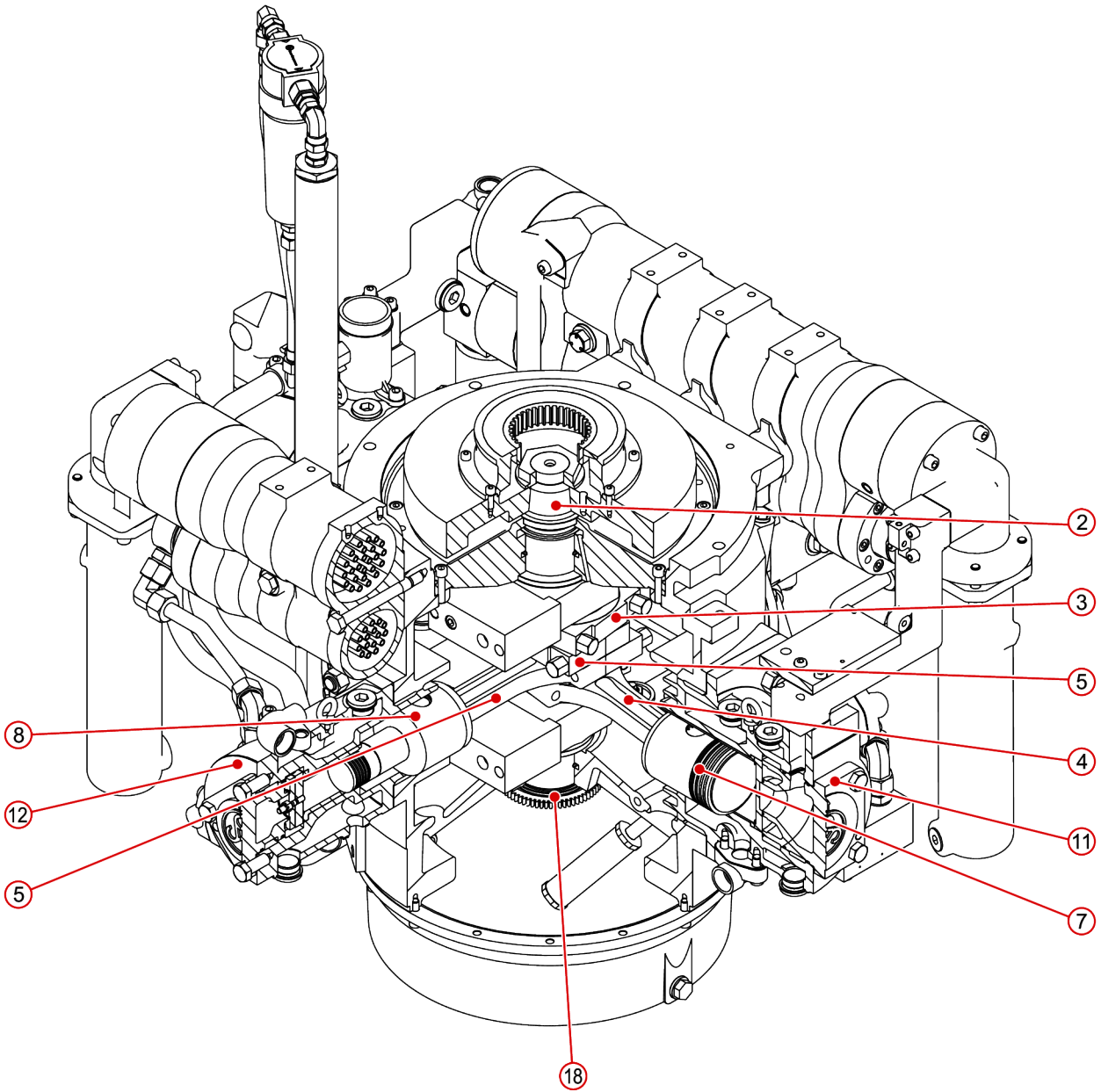
STANDARD ASSEMBLIES

066005/* Compressor unit (2/2)			
Item no.	Part no.	Designation	Quantity
3	064915	Compressor foot	4
4	062409	Union	4
7	062789	Cover sheet	1
11	065089	Compressor	1
14	065565	Pipeline	1
19	065633	Cooling water piping	1
24	000013	Hexagon head screw	4
25	000602	Socket head cap screw	24
26	000689	Socket head cap screw	4
28	035928	Eye bolt	4
29	001523	Stud	8
30	001531	Stud	8
31	002046	Hexagon nut	8
32	001621	Hexagon nut	4
33	002146	Washer	4
35	037881	Straight pin	4
39	035829	Coupling hub	1
40	037846	Shock mounts	1
41	037884	Ground plate	1
42	037885	Cover plate	1



4.3

065089 Compressor (1/2)



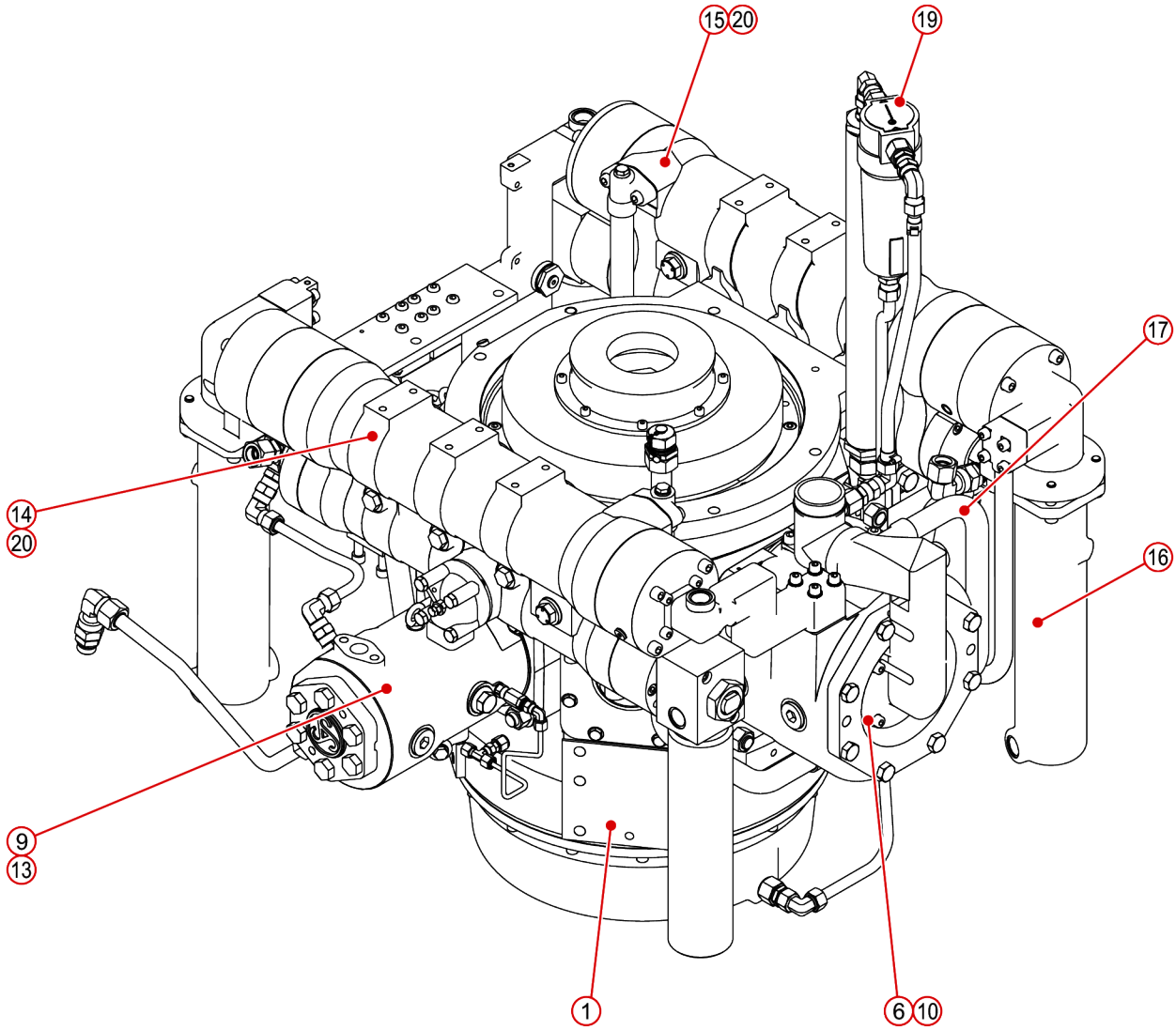
STANDARD ASSEMBLIES

065089 Compressor (1/2)			
Item no.	Part no.	Designation	Quantity
2	061848	Crankshaft assembly	1
3	062177	Connecting rod assembly compression stage 1	1
4	061662	Connecting rod assembly compression stage 2	1
5	061660	Connecting rod assembly, compression stage 3, 4	2
7	061768	Piston assembly compression stage 2	1
8	065090	Piston assembly compression stage 3	1
11	061872	Cylinder assembly compression stage 2	1
12	061828	Cylinder assembly compression stage 3	1
18	065093	Lubricating oil piping	1



4.4

065089 Compressor (2/2)



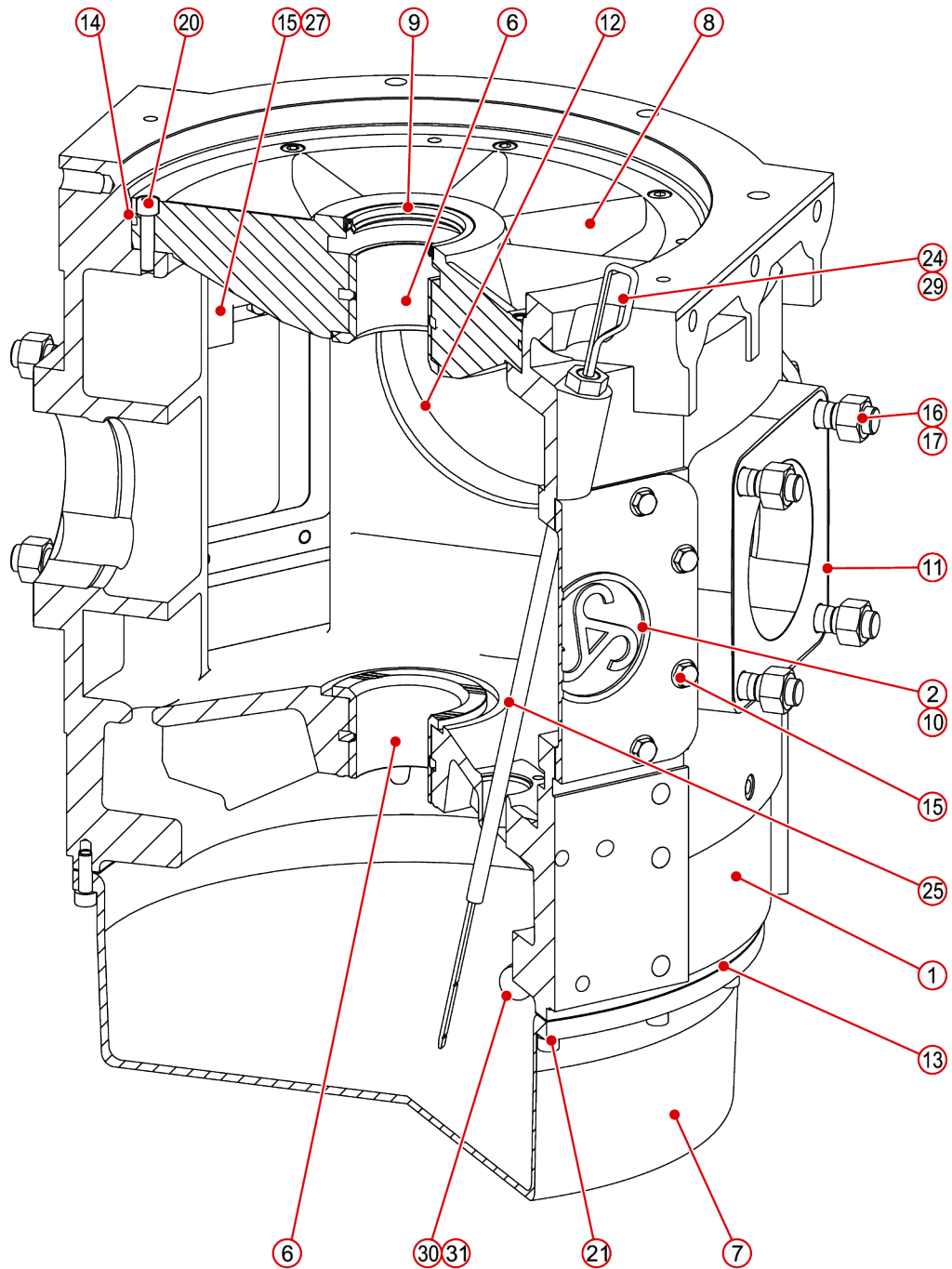
STANDARD ASSEMBLIES

065089 Compressor (2/2)			
Item no.	Part no.	Designation	Quantity
1	061885	Crankcase	1
6	062495	Piston assembly compression stage 1	1
9	062234	Piston assembly compression stage 4	1
10	064937	Cylinder assembly compression stage 1	1
13	062232	Cylinder assembly compression stage 4	1
14	062654	Cooler compression stages 1, 4	1
15	062655	Cooler compression stages 2, 3	1
16	065092	Pressure line	1
17	065318	Cooling water piping	1
19	065347	Crankcase vent	1
20	061916	Hexagon head screw	6



4.5

061885 Crankcase assembly



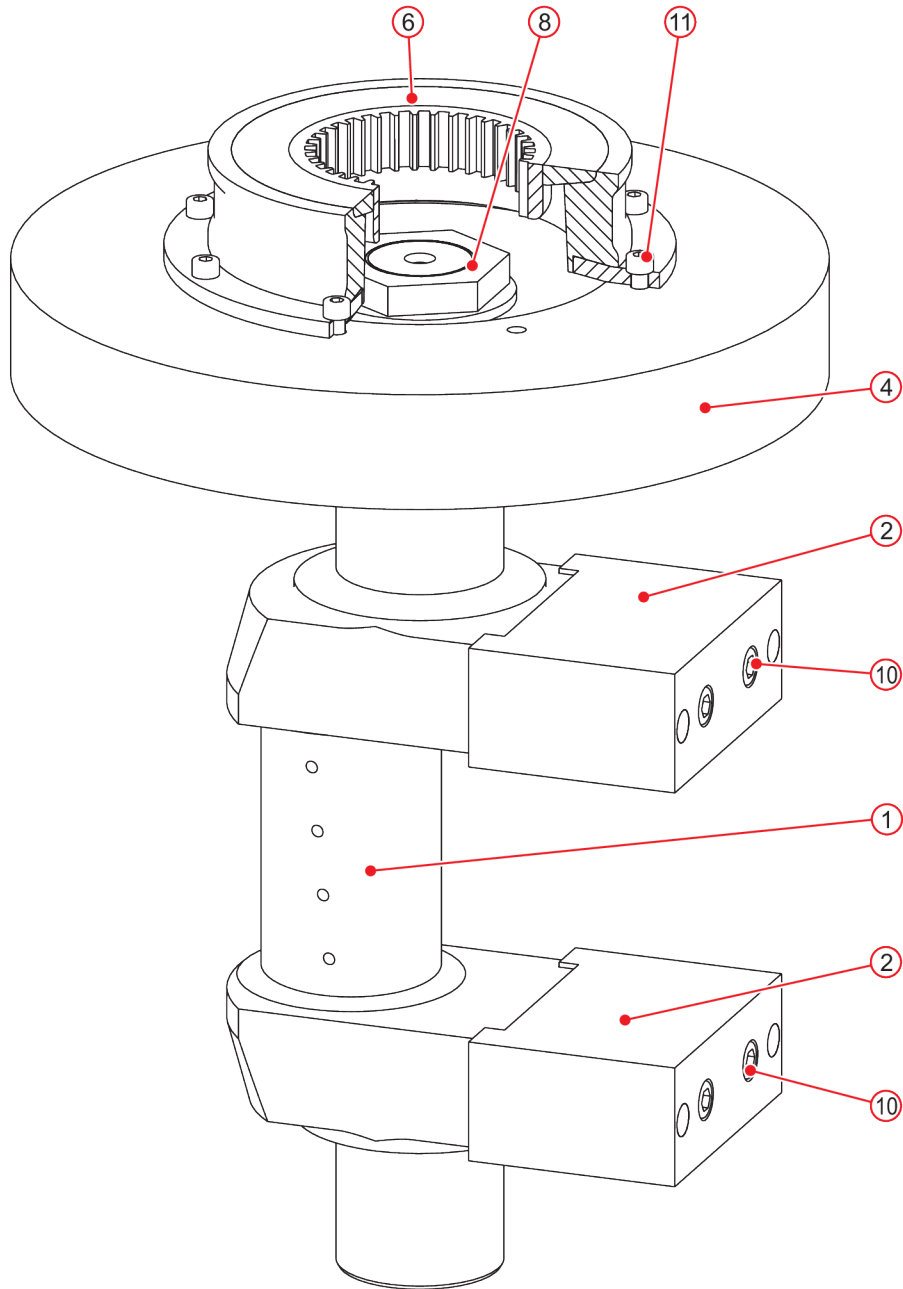
STANDARD ASSEMBLIES

061885 Crankcase assembly			
Item no.	Part no.	Designation	Quantity
1	061886	Crankcase	1
2	051883	Crankcase inspection cover	4
6	061860	Main bearing bushing	2
7	061772	Oil sump	1
8	061729	Bearing bracket	1
9	030743	Shaft seal	1
10	051885	Gasket	4
11	061889	Gasket	2
12	061890	Gasket	2
13	061891	Gasket	1
14	035842	O-ring	1
15	000038	Hexagon head screw	33
16	035825	Stud	16
17	002063	Hexagon nut	16
20	000505	Socket head cap screw	8
21	000499	Socket head cap screw	16
24	064827	Dipstick	1
25	061888	Dipstick pipe	1
27	062205	Baffle plate	1
29	005009	Ring gasket	1
30	030509	Plug	2
31	005016	Ring gasket	2



4.6

061848 Crankshaft assembly



STANDARD ASSEMBLIES

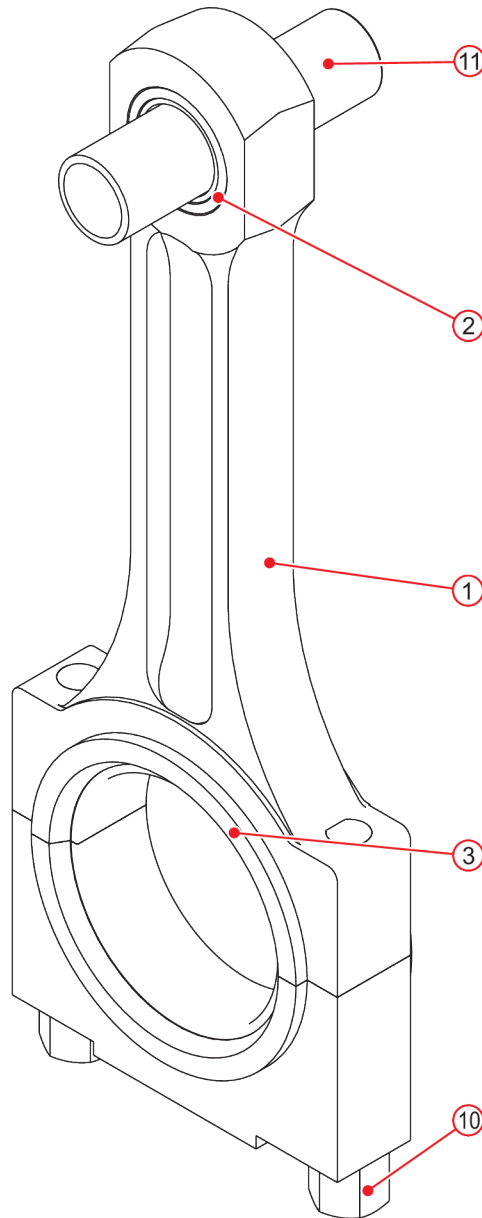
061848 Crankshaft assembly

Item no.	Part no.	Designation	Quantity
1	061849	Crankshaft	1
2	061850	Balance weight	2
4	061851	Flywheel	1
6	035828	Flexible coupling	1
8	062093	Hexagon nut	1
10	000565	Socket head cap screw	4
11	000464	Socket head cap screw	8



4.7

062177 Connecting rod assembly compression stage 1



STANDARD ASSEMBLIES

062177 Connecting rod assembly compression stage 1

Item no.	Part no.	Designation	Quantity
1	061661	Connecting rod	1
2	035823	Needle roller bearing	1
3	061857	Connecting rod bearing	1
10 ¹⁾	061676	Connecting rod bolt	2
11 ²⁾	036078	Gudgeon pin	1

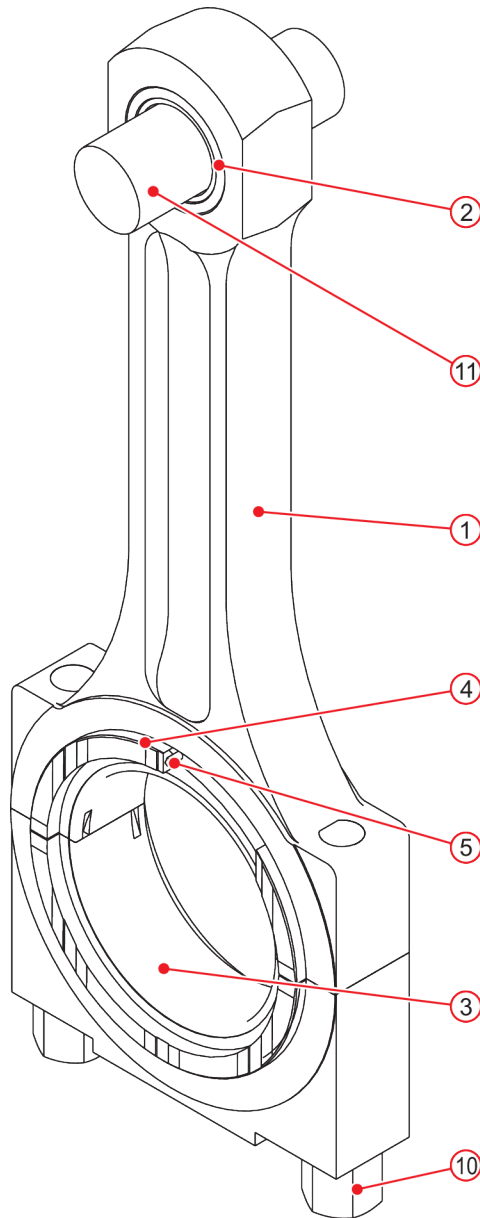
¹⁾ Part of connecting rod unmachined part.

²⁾ Part of assembly 062495.



4.8

061662 Connecting rod assembly compression stage 2



STANDARD ASSEMBLIES

061662 Connecting rod assembly compression stage 2

Item no.	Part no.	Designation	Quantity
1	061946	Connecting rod	1
2	035823	Needle roller bearing	1
3	061857	Connecting rod bearing	1
4	061947	Thrust washer	1
5	003152	Straight pin	2
10 ¹⁾	061676	Connecting rod bolt	2
11 ²⁾	061742	Gudgeon pin	1

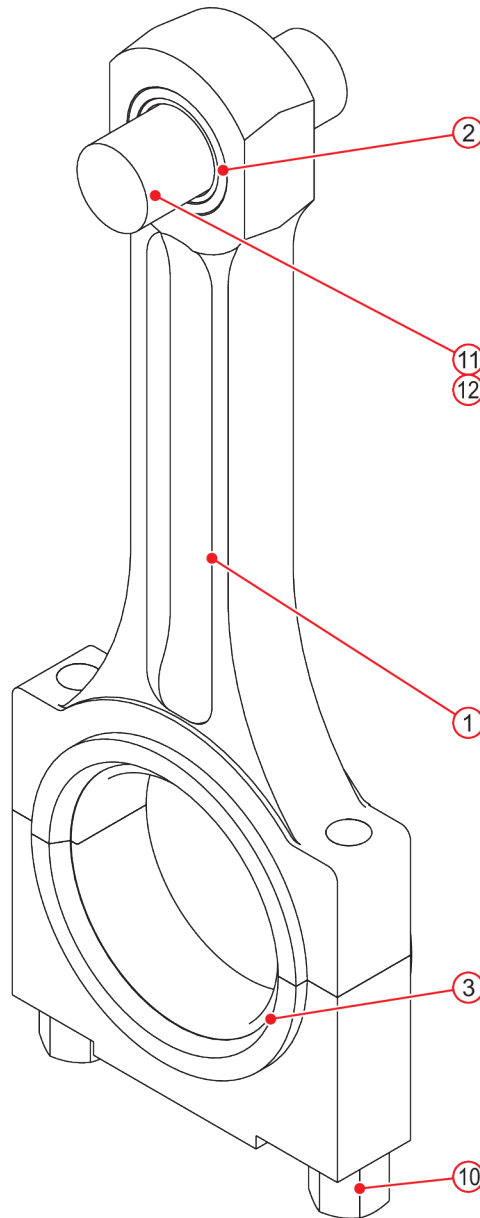
¹⁾ Part of connecting rod unmachined part.

²⁾ Part of assembly 061768.



4.9

061660 Connecting rod assembly, compression stage 3, 4



STANDARD ASSEMBLIES

061660 Connecting rod assembly, compression stage 3, 4

Item no.	Part no.	Designation	Quantity
1	061659	Connecting rod	1
2	035823	Needle roller bearing	1
3	061857	Connecting rod bearing	1
10 ¹⁾	061676	Connecting rod bolt	2
11 ²⁾	061742	Gudgeon pin	1
12 ³⁾	061742	Gudgeon pin	1

¹⁾ Part of connecting rod unmachined part.

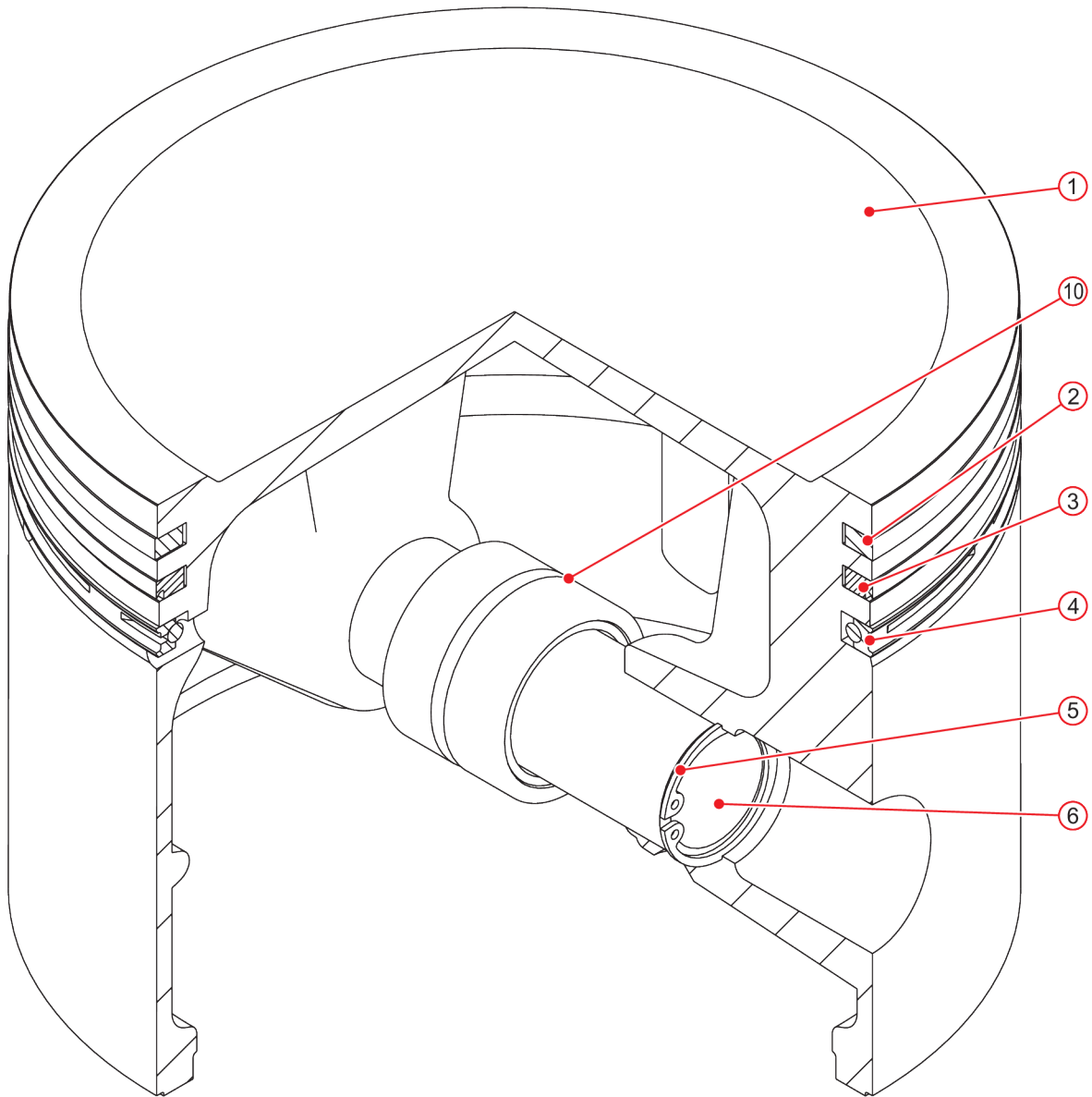
²⁾ Part of assembly 061758.

³⁾ Part of assembly 062234.



4.10

062495 Piston assembly compression stage 1



STANDARD ASSEMBLIES

062495 Piston assembly compression stage 1

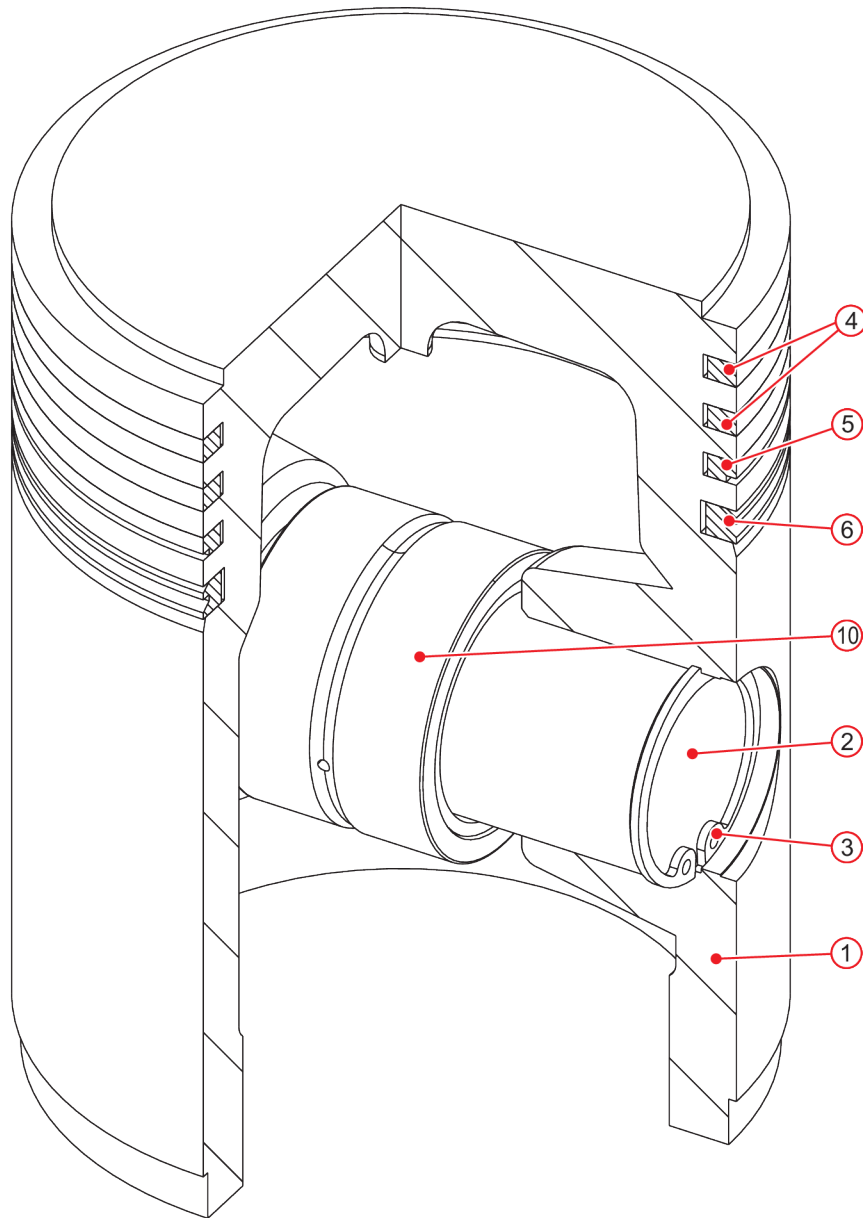
Item no.	Part no.	Designation	Quantity
1	035785	Piston	1
2	002716	Rectangular ring	1
3	037520	Nose ring	1
4	035962	Double bevelled oil control ring	1
5	002985	Circlip	2
6	036078	Gudgeon pin	1
10 ¹⁾	035823	Needle roller bearing	1

¹⁾ Part of assembly 062177.



4.11

061768 Piston assembly compression stage 2



STANDARD ASSEMBLIES

061768 Piston assembly compression stage 2

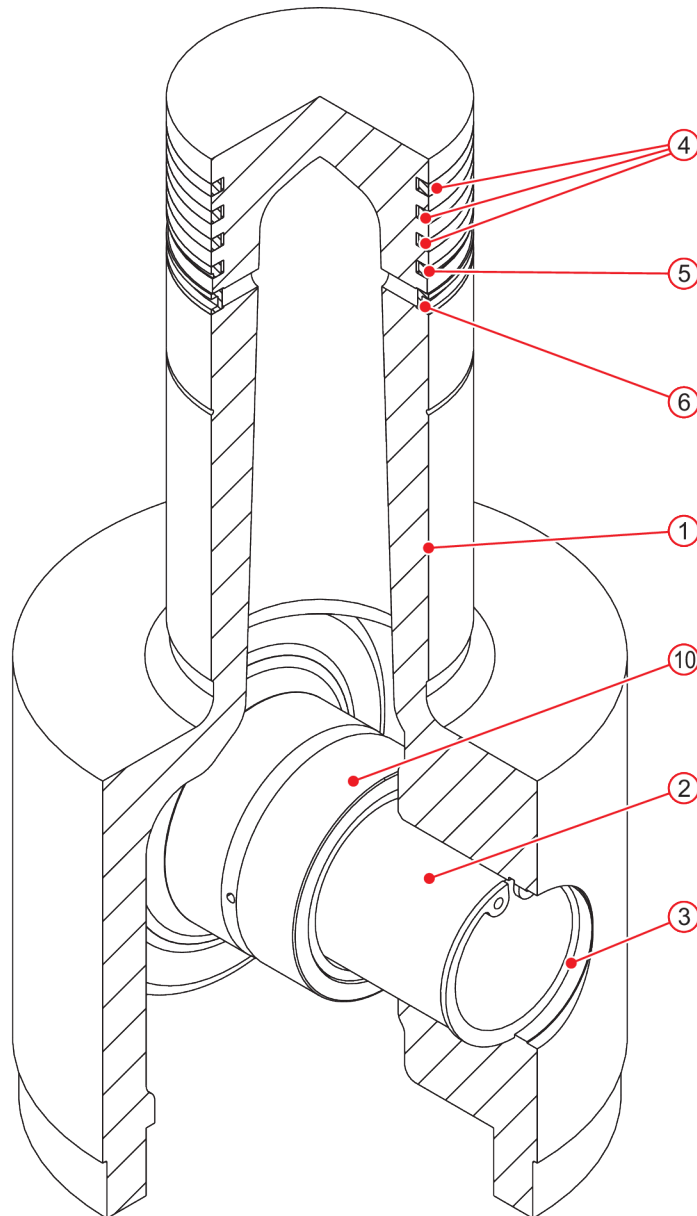
Item no.	Part no.	Designation	Quantity
1	061767	Piston	1
2	061742	Gudgeon pin	1
3	002985	Circlip	2
4	002755	Rectangular ring	2
5	002563	Nose ring	1
6	035965	Double bevelled oil control ring	1
10 ¹⁾	035823	Small-end needle roller bearing	1

¹⁾ Part of assembly 061662.



4.12

065090 Piston assembly compression stage 3



STANDARD ASSEMBLIES

065090 Piston assembly compression stage 3

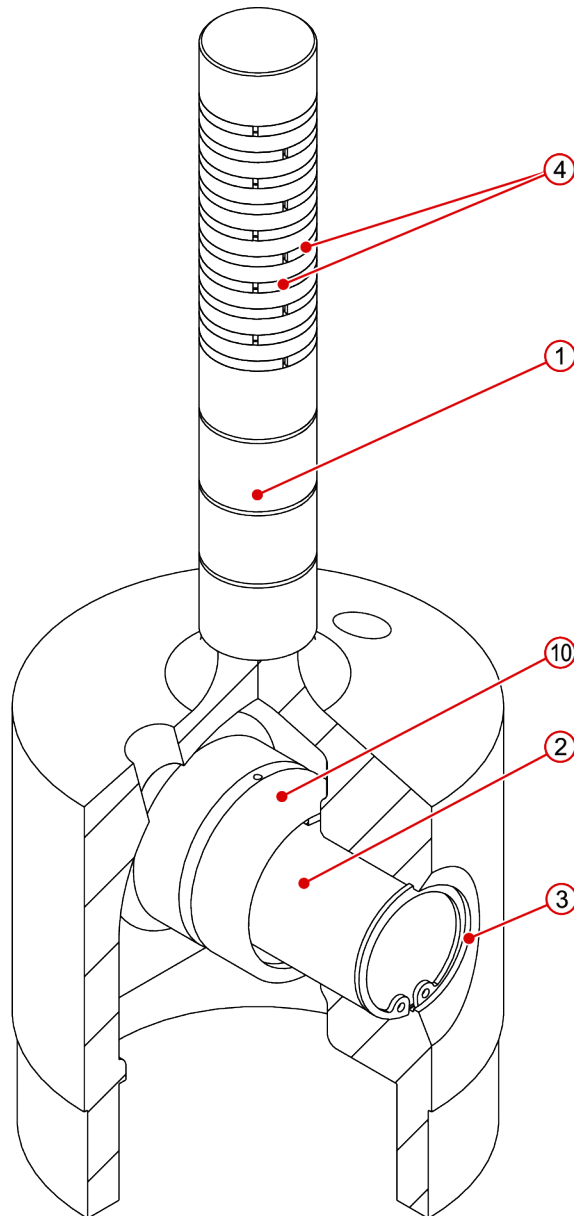
Item no.	Part no.	Designation	Quantity
1	065091	Piston	1
2	061742	Gudgeon pin	1
3	002985	Circlip	2
4	002663	Rectangular ring	3
5	002544	Nose ring	1
6	002578	Slotted oil control ring	1
10 ¹⁾	035823	Needle roller bearing	1

¹⁾ Part of assembly 061660.



4.13

062234 Piston assembly compression stage 4



STANDARD ASSEMBLIES

062234 Piston assembly compression stage 4

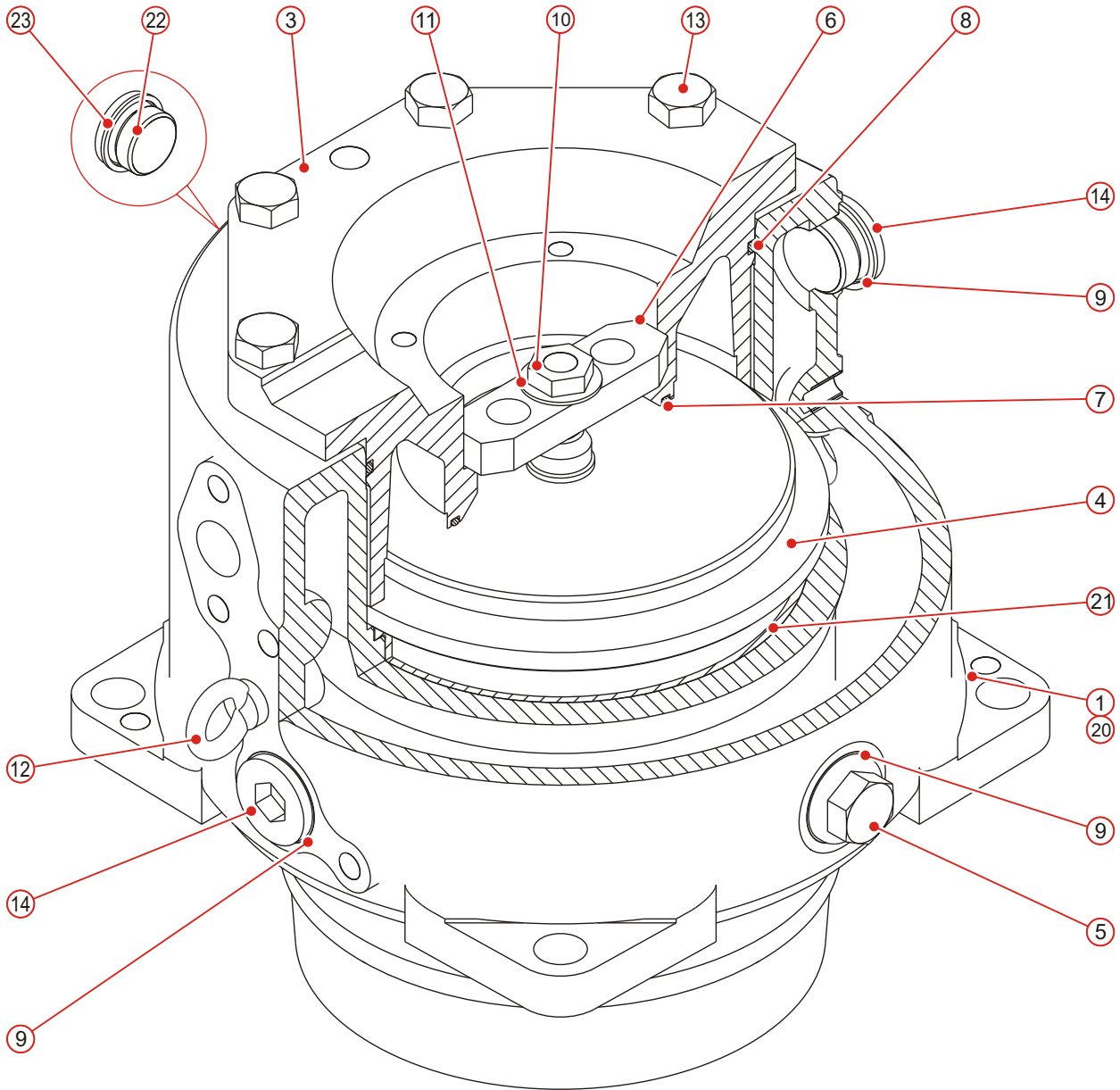
Item no.	Part no.	Designation	Quantity
1	062229	Piston	1
2	061742	Gudgeon pin	1
3	002985	Circlip	2
4	037634	Rectangular ring	10
10 ¹⁾	035823	Needle roller bearing	1

¹⁾ Part of assembly 061660.



4.14

064937 Cylinder assembly compression stage 1



STANDARD ASSEMBLIES

064937 Cylinder assembly compression stage 1

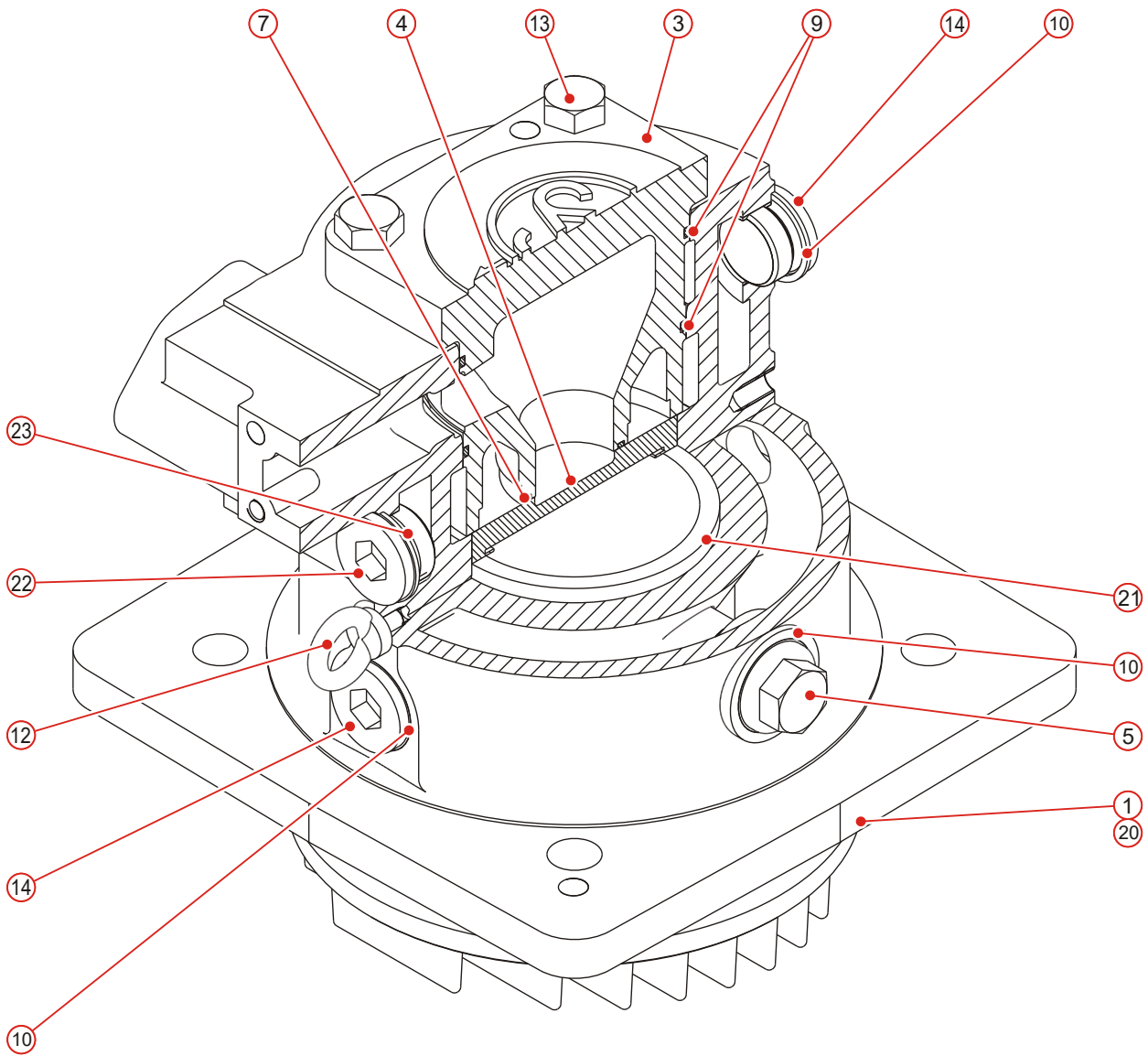
Item no.	Part no.	Designation	Quantity
1	061813	Cylinder	1
3	064820	Valve cover	1
4	037508	Valve	1
5	061822	Sacrificial zinc anode	2
6	064629	Stand	1
7	035837	O-ring	1
8	030912	O-ring	1
9	005023	Ring gasket	4
10	064628	Thread fitting	1
11	003099	Spring disc	1
12	000267	Lifting eye bolt	1
13	005262	Hexagon head screw	8
14	000977	Plug	2
20 ¹⁾	061707	Cylinder	1
21 ¹⁾	061858	Cylinder liner	1
22 ¹⁾	000977	Plug	2
23 ¹⁾	005023	Ring gasket	2

¹⁾ Part of assembly 061813.



4.15

061872 Cylinder assembly compression stage 2



STANDARD ASSEMBLIES

061872 Cylinder assembly compression stage 2

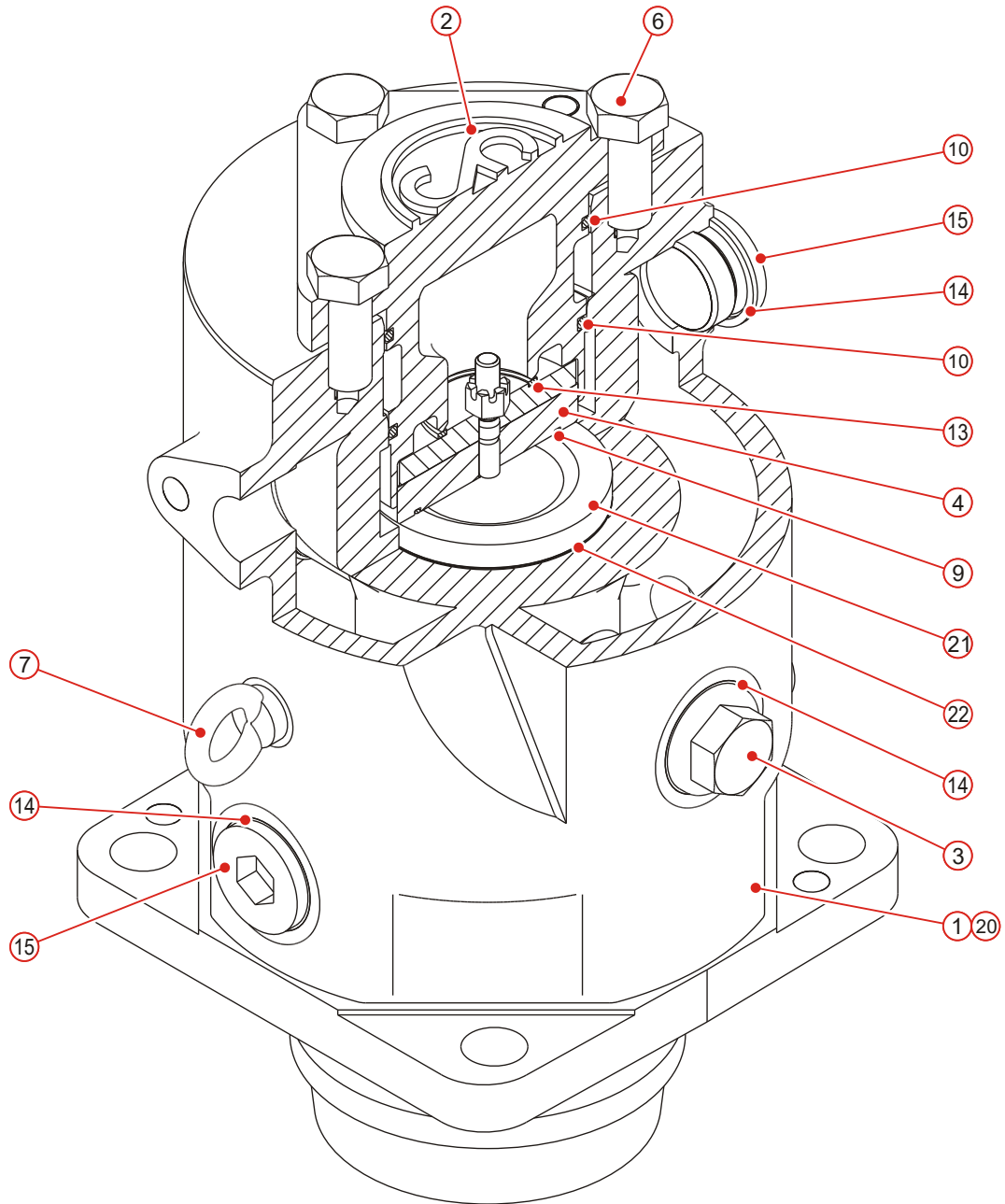
Item no.	Part no.	Designation	Quantity
1	061871	Cylinder assembly	1
3	061732	Valve cover	1
4	035787	Valve	1
5	061822	Sacrificial zinc anode	2
7	035970	O-ring	1
9	035837	O-ring	2
10	005023	Ring gasket	4
12	000267	Lifting eye bolt	1
13	000184	Hexagon head screw	4
14	000977	Plug	2
20 ¹⁾	061716	Cylinder	1
21 ¹⁾	061859	Cylinder liner	1
22 ¹⁾	000977	Plug	1
23 ¹⁾	005023	Ring gasket	1

¹⁾ Part of assembly 061871.



4.16

061828 Cylinder assembly compression stage 3



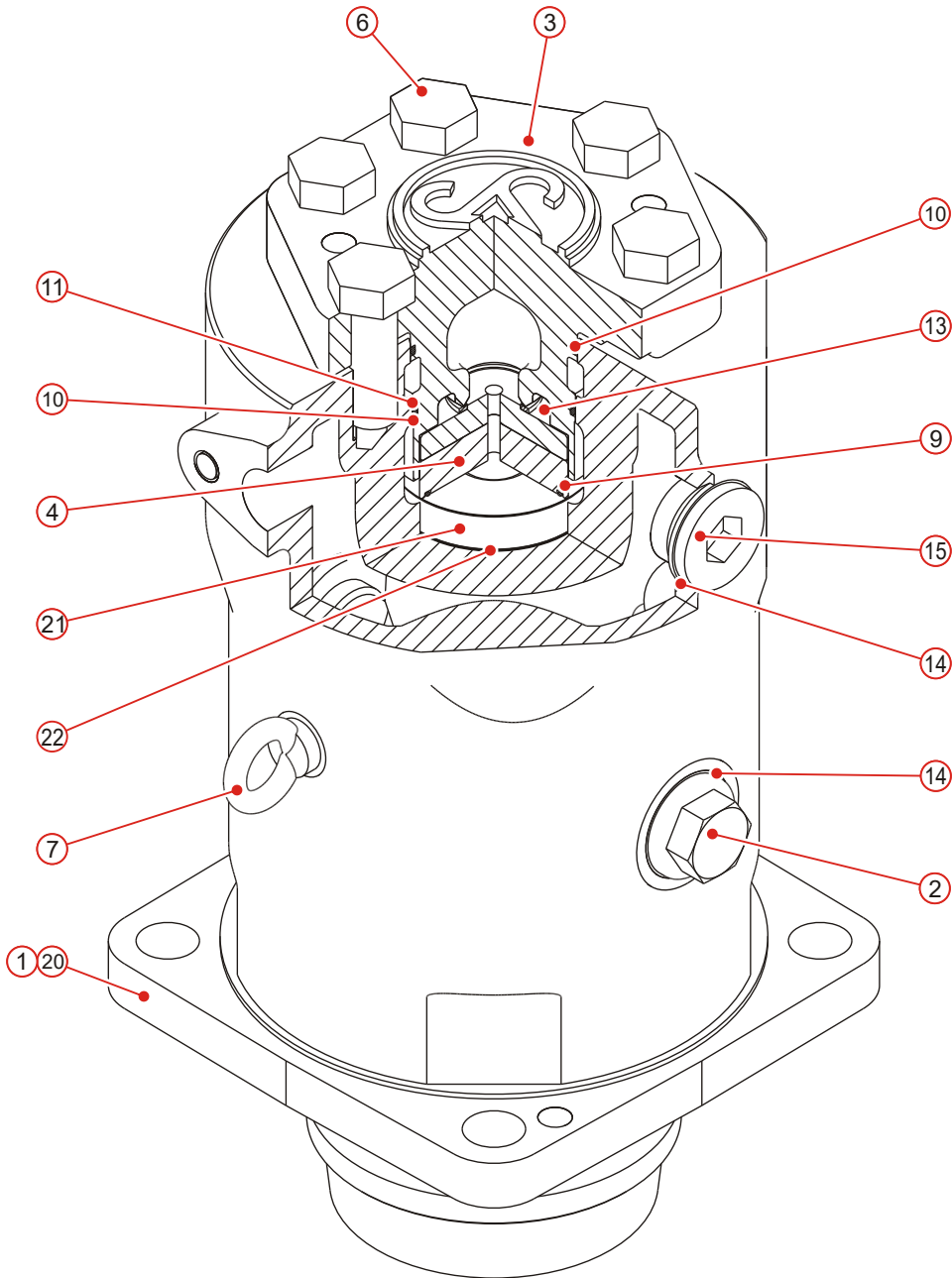
STANDARD ASSEMBLIES

061828 Cylinder assembly compression stage 3			
Item no.	Part no.	Designation	Quantity
1	061827	Cylinder assembly	1
2	061734	Valve cover	1
3	061822	Sacrificial zinc anode	2
4	035788	Valve	1
6	000184	Hexagon head screw	4
7	000267	Lifting eye bolt	1
9	035893	O-ring	1
10	035818	O-ring	2
13	053398	Ring gasket	1
14	005023	Ring gasket	4
15	000977	Plug	1
20 ¹⁾	061664	Cylinder	1
21 ¹⁾	061825	Cylinder liner	1
22 ¹⁾	061842	Gasket	1
1) Part of assembly 061827.			



4.17

062232 Cylinder assembly compression stage 4



STANDARD ASSEMBLIES

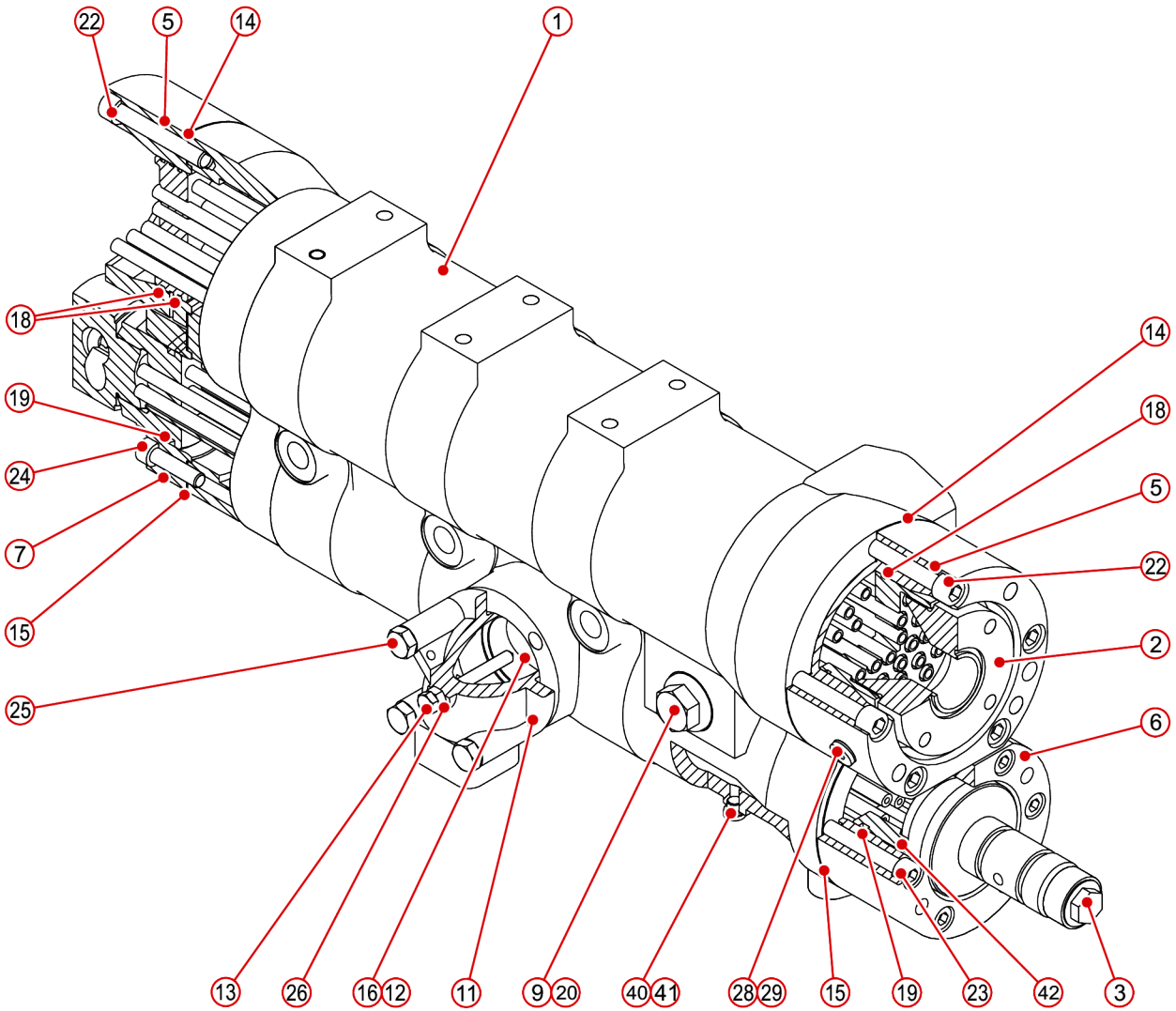
062232 Cylinder assembly compression stage 4

Item no.	Part no.	Designation	Quantity
1	062231	Cylinder	1
2	061822	Sacrificial zinc anode	2
3	062185	Valve cover	1
4	035793	Valve	1
6	062233	Hexagon head screw	6
7	000267	Lifting eye bolt	1
9	035893	O-ring	1
10	035819	O-ring	2
11	035820	Back-up ring	1
13	035826	Ring gasket	1
14	005023	Ring gasket	4
15	000977	Plug	2
20 ¹⁾	062231	Cylinder	1
21 ¹⁾	062230	Cylinder liner	1
22 ¹⁾	061844	Gasket	1

¹⁾ Part of assembly 062231.



4.18 062654 Cooler compression stages 1, 4



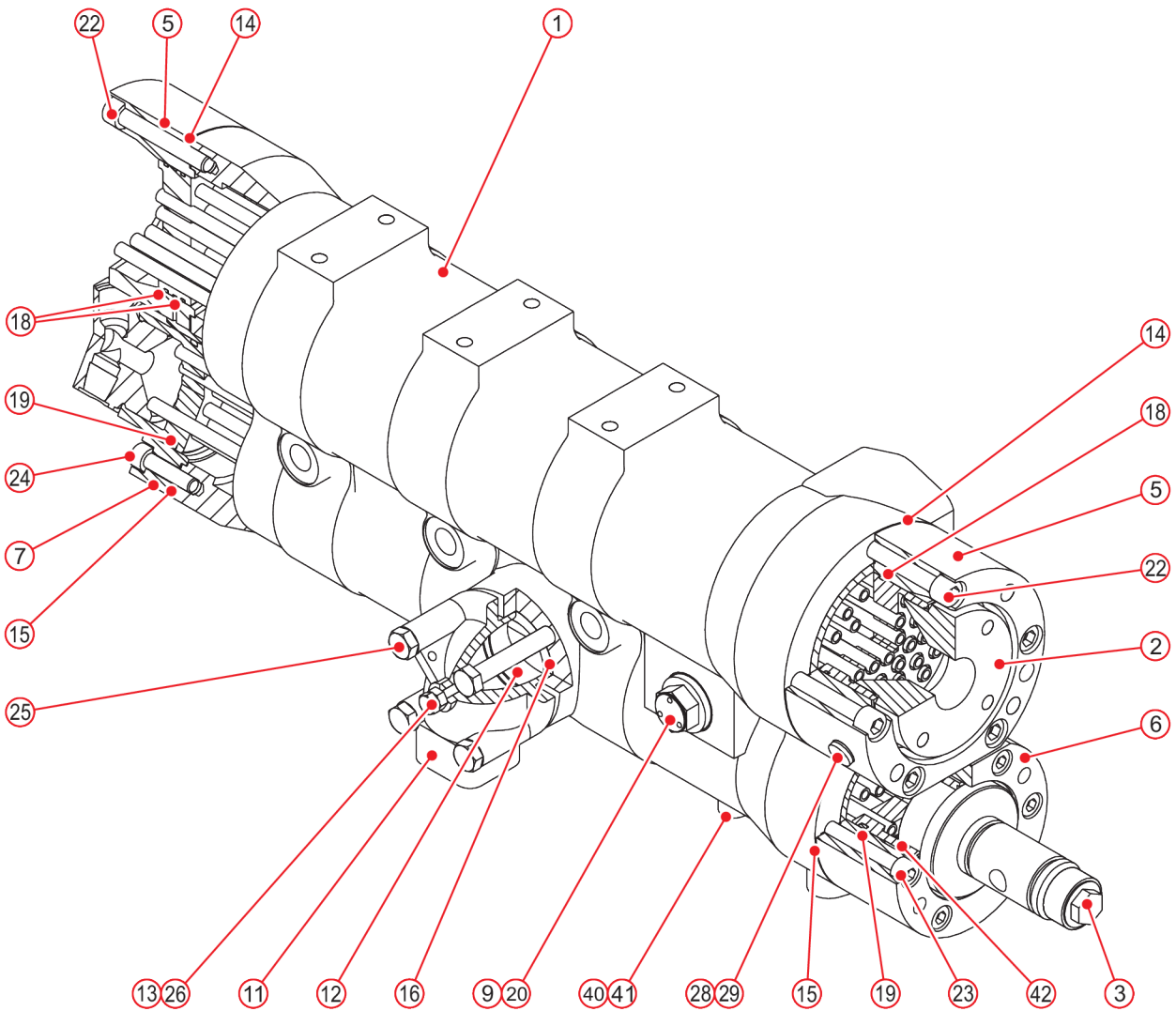
STANDARD ASSEMBLIES

062654 Cooler compression stages 1, 4			
Item no.	Part no.	Designation	Quantity
1	062653	Cooler housing	1
2	061801	Cooler insert compression stage 1	1
3	061750	Cooler insert compression stage 4	1
5	061793	Support ring	2
6	061880	Support ring	1
7	061879	Support ring	1
9	065595	Sacrificial zinc anode	2
11	065985	Bursting disc flange	1
12	062698	Bursting disc	1
13	065989	Spacer bolt	1
14	061794	Gasket	2
15	061878	Gasket	2
16	061944	Gasket	1
18	031130	O-ring	3
19	031109	O-ring	2
20	005023	Ring gasket	2
22	000559	Socket head cap screw	10
23	000516	Socket head cap screw	4
24	000504	Socket head cap screw	6
25	038187	Hexagon head screw	4
26	002027	Hexagon nut	1
28	033806	Plug	1
29	005001	Ring gasket	1
40 ¹⁾	000969	Ring gasket	3
41 ¹⁾	003496	Plug	3
42 ²⁾	035857	O-ring	1
1) Part of assembly 062653.			
2) Part of assembly 061750.			



4.19

062655 Cooler compression stages 2, 3



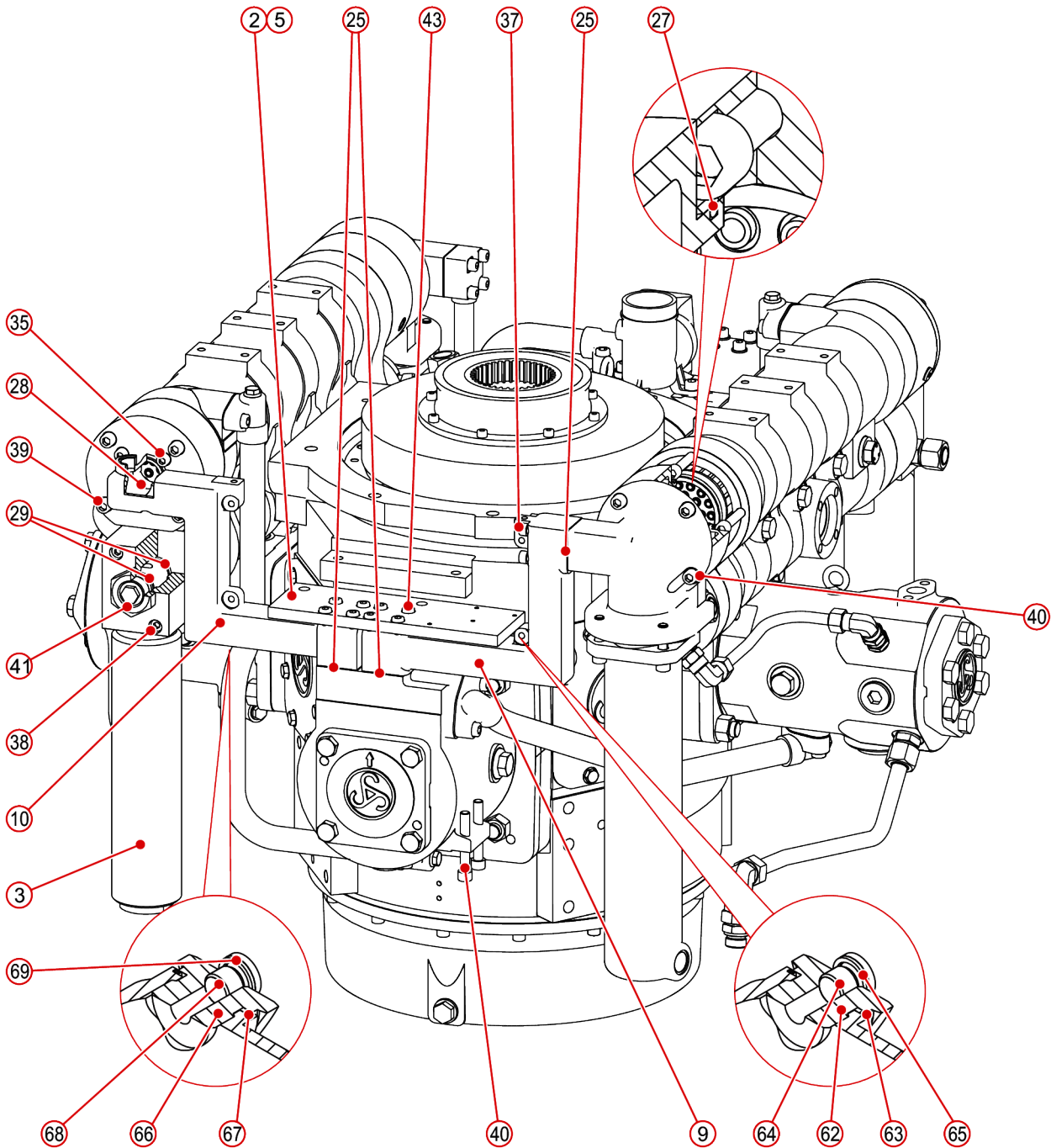
STANDARD ASSEMBLIES

062655 Cooler compression stages 2, 3			
Item no.	Part no.	Designation	Quantity
1	062653	Cooler housing	1
2	061801	Cooler insert compression stage 2	1
3	061940	Cooler insert compression stage 3	1
5	061793	Support ring	2
6	061880	Support ring	1
7	061879	Support ring	1
9	065595	Sacrificial zinc anode	2
11	065985	Bursting disc flange	1
12	062698	Bursting disc	1
13	065989	Spacer bolt	1
14	061794	Gasket	2
15	061878	Gasket	2
16	061944	Gasket	1
18	031130	O-ring	3
19	031109	O-ring	2
20	005023	Ring gasket	2
22	000559	Socket head cap screw	10
23	000516	Socket head cap screw	4
24	000504	Socket head cap screw	6
25	038187	Hexagon head screw	4
26	002027	Hexagon nut	1
28	033806	Plug	1
29	005001	Ring gasket	1
40 ¹⁾	003496	Ring gasket	3
41 ¹⁾	000969	Plug	3
42 ²⁾	035858	O-ring	1
1) Part of assembly 062653.			
2) Part of assembly 061940.			



4.20

065092 Pressure line (1/3)



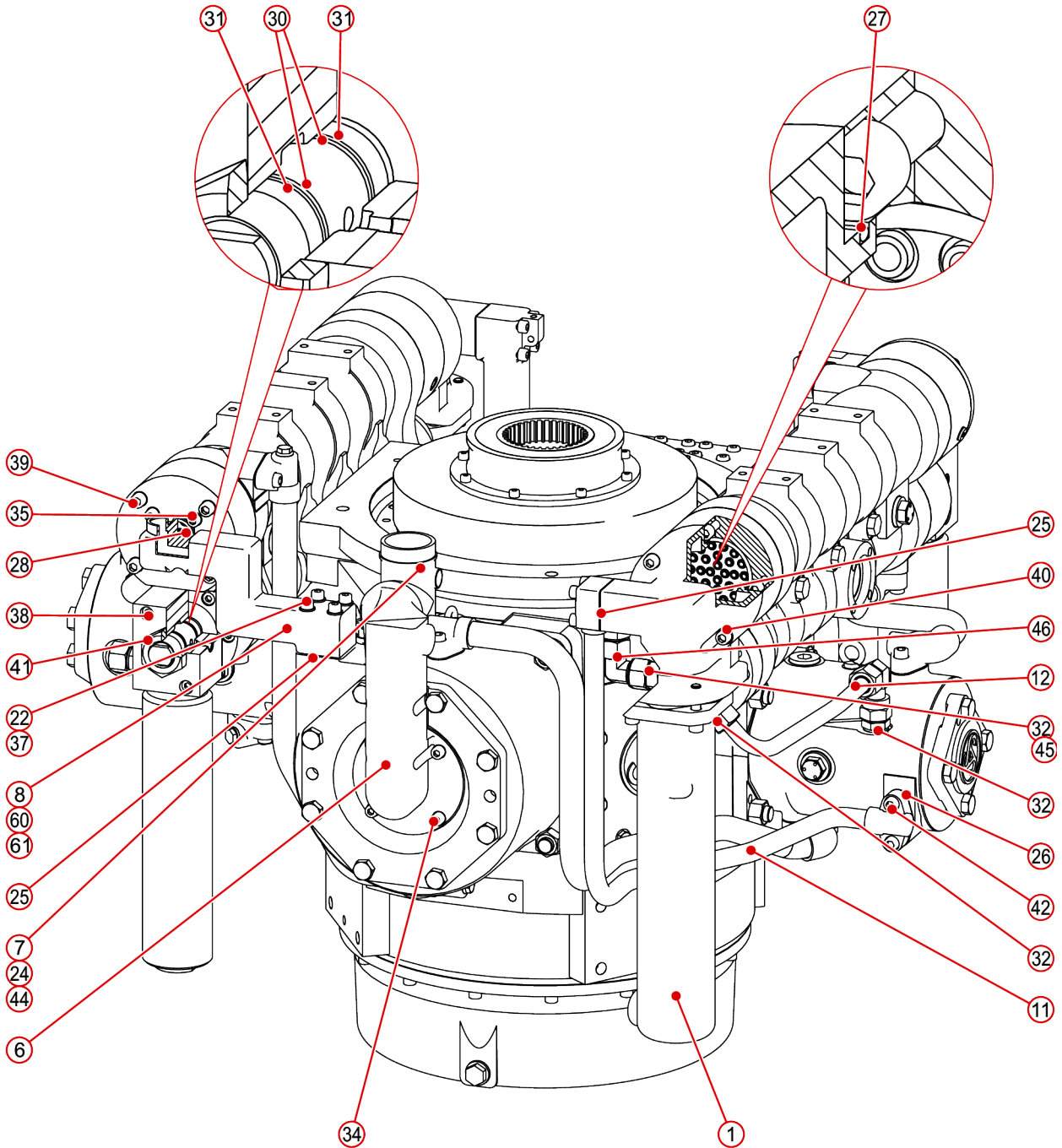
STANDARD ASSEMBLIES

065092 Pressure line (1/3)			
Item no.	Part no.	Designation	Quantity
2	062322	Gasket	1
3	064817	Condensate separator compression stage 3	1
5	062227	Stand	1
9	061955	Suction channel compression stage 2	1
10	061956	Pressure channel compression stage 2	1
25	061966	Gasket	3
27	031153	O-ring	1
28	004349	O-ring	1
29	004340	O-ring	2
35	000497	Socket head cap screw	4
37	000514	Socket head cap screw	4
38	000529	Socket head cap screw	2
39	000538	Socket head cap screw	4
40	000561	Socket head cap screw	6
41	002004	Hexagon nut	1
43	000518	Socket head cap screw	8
62 ¹⁾	037597	Reducing union	1
63 ¹⁾	005023	Ring gasket	1
64 ¹⁾	033806	Plug	1
65 ¹⁾	005001	Ring gasket	1
66 ²⁾	037597	Reducing union	1
67 ²⁾	005023	Ring gasket	1
68 ²⁾	033806	Plug	1
69 ²⁾	005001	Ring gasket	1
1) Part of assembly 061955.			
2) Part of assembly 061956.			



4.21

065092 Pressure line (2/3)



STANDARD ASSEMBLIES

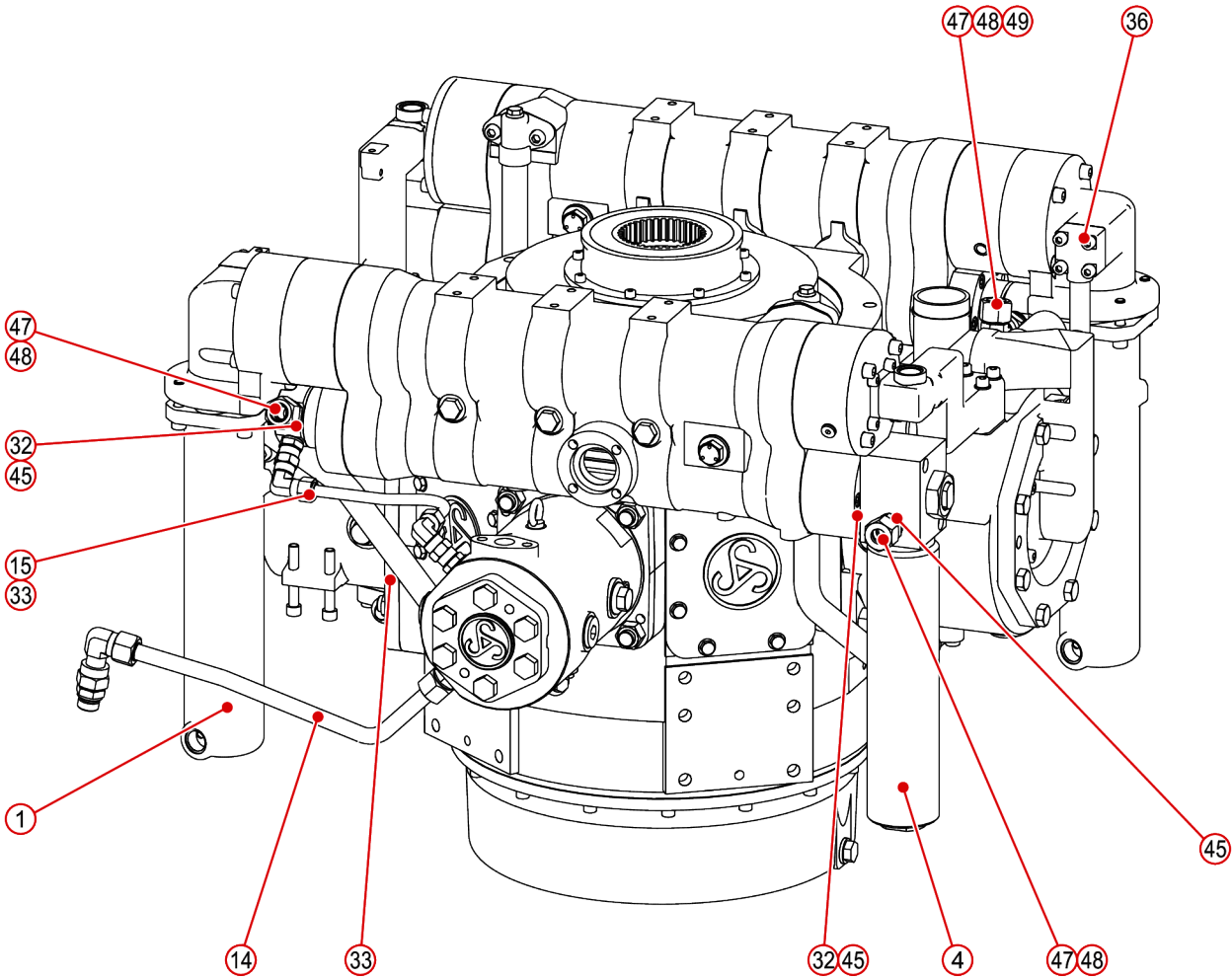
065092 Pressure line (2/3)			
Item no.	Part no.	Designation	Quantity
1	061958	Condensate separator compression stage 2	1
6	062001	Inlet pressure manifold	1
7	062002	Filter flange	1
8	061954	Pressure channel compression stage 1	1
11	061960	Suction pipe compression stage 3	1
12	065094	Pressure line compression stage 3	1
22	002156	Washer	4
24	031109	O-ring	1
25	061966	Gasket	2
26	053166	Gasket	1
27	031153	O-ring	1
28	004349	O-ring	1
30	012455	O-ring	2
31	035863	Back-up ring	2
32	005016	Ring gasket	3
34	000499	Socket head cap screw	4
35	000497	Socket head cap screw	4
37	000514	Socket head cap screw	4
38	000529	Socket head cap screw	2
39	000538	Socket head cap screw	4
40	000561	Socket head cap screw	4
41	002004	Hexagon nut	1
42	000543	Socket head cap screw	2
44	000535	Socket head cap screw	3
45	037753	Union	1
46	037754	Angle piece	1
60 ¹⁾	036934	Plug	1
61 ¹⁾	005023	Ring gasket	1

¹⁾ Part of assembly 061954.



4.22

065092 Pressure line (3/3)



STANDARD ASSEMBLIES

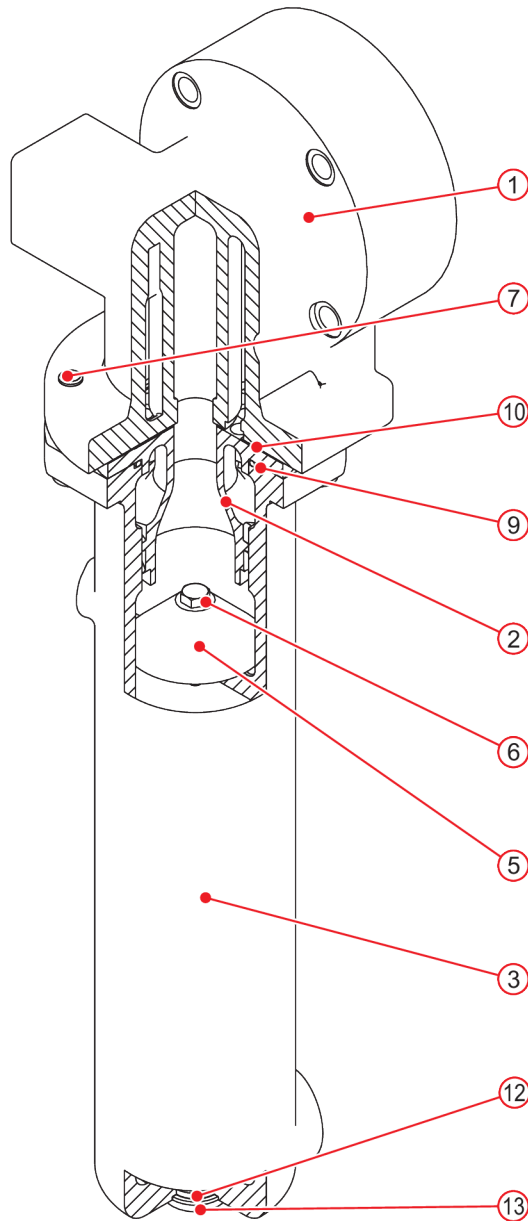
065092/* Pressure line (3/3)

Item no.	Part no.	Designation	Quantity
1	061958	Condensate separator compression stage 1	1
4	064869	Condensate separator compression stage 4	1
14	065095	Suction pipe compression stage 4	1
15	065096	Pressure line compression stage 4	1
32	005016	Ring gasket	1
33	005009	Ring gasket	2
36	000505	Socket head cap screw	4
45	037753	Union	2
47	037755	Union nut	3
48	037756	Parflange sleeve	3
49	038055	Ring gasket	2



4.23

061958 Condensate separator compression stage 1, 2



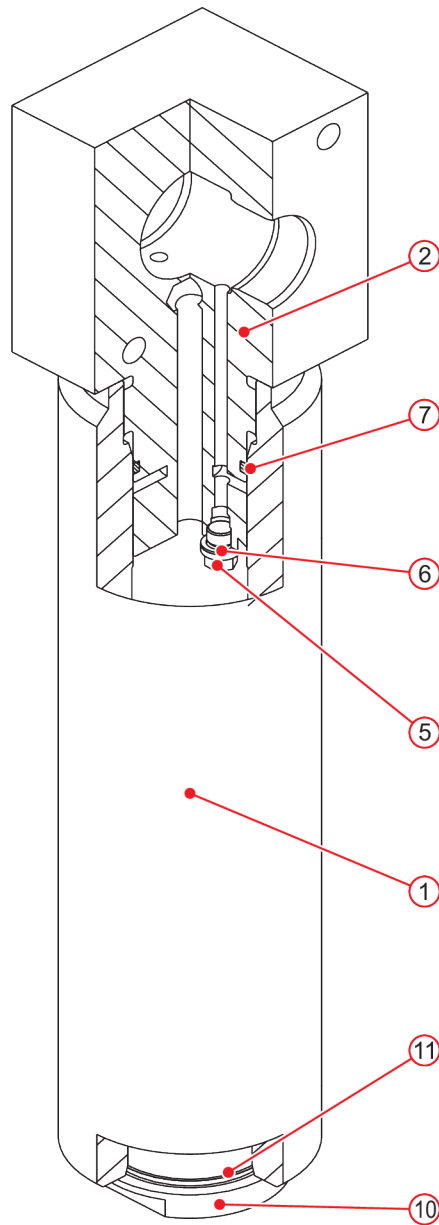
STANDARD ASSEMBLIES

061958 Condensate separator compression stage 1, 2			
Item no.	Part no.	Designation	Quantity
1	061746	Separator head	1
2	061884	Separator insert	1
3	062189	Condensate collection container	1
5	053208	Baffle cone	1
6	000127	Hexagon head screw	1
7	012711	Socket head cap screw	4
9	030152	O-ring	1
10	061959	Gasket	1
12	005016	Gasket	1
13	037596	Plug	1



4.24

064817 Condensate separator compression stage 3



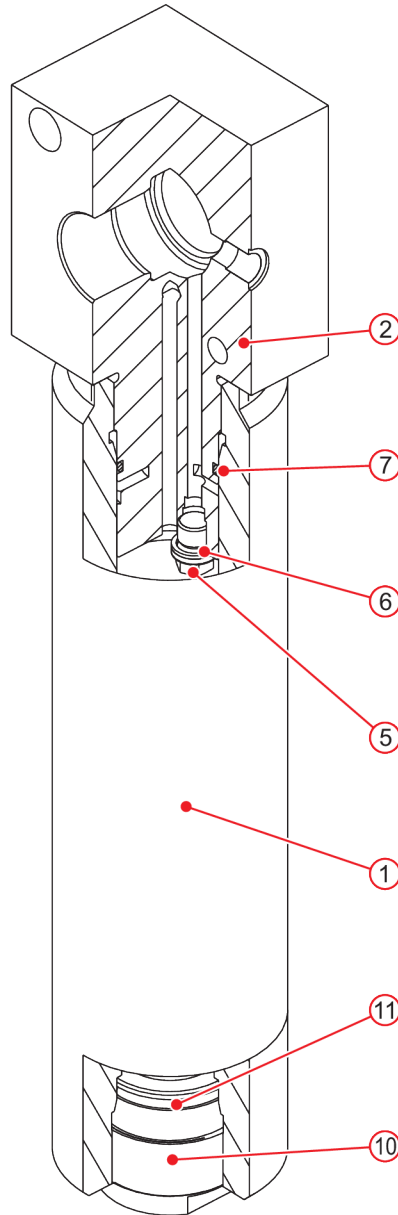
STANDARD ASSEMBLIES

064817 Condensate separator compression stage 3			
Item no.	Part no.	Designation	Quantity
1	065656	Separator housing	1
2	064818	Separator head	1
5	001008	Plug	2
6	003496	Ring gasket	2
7	030639	O-ring	1
10 ¹⁾	065766	Cover	1
11 ¹⁾	012438	O-ring	1
1) Part of assembly 065656.			



4.25

064869 Condensate separator compression stage 4



STANDARD ASSEMBLIES

064869 Condensate separator compression stage 4

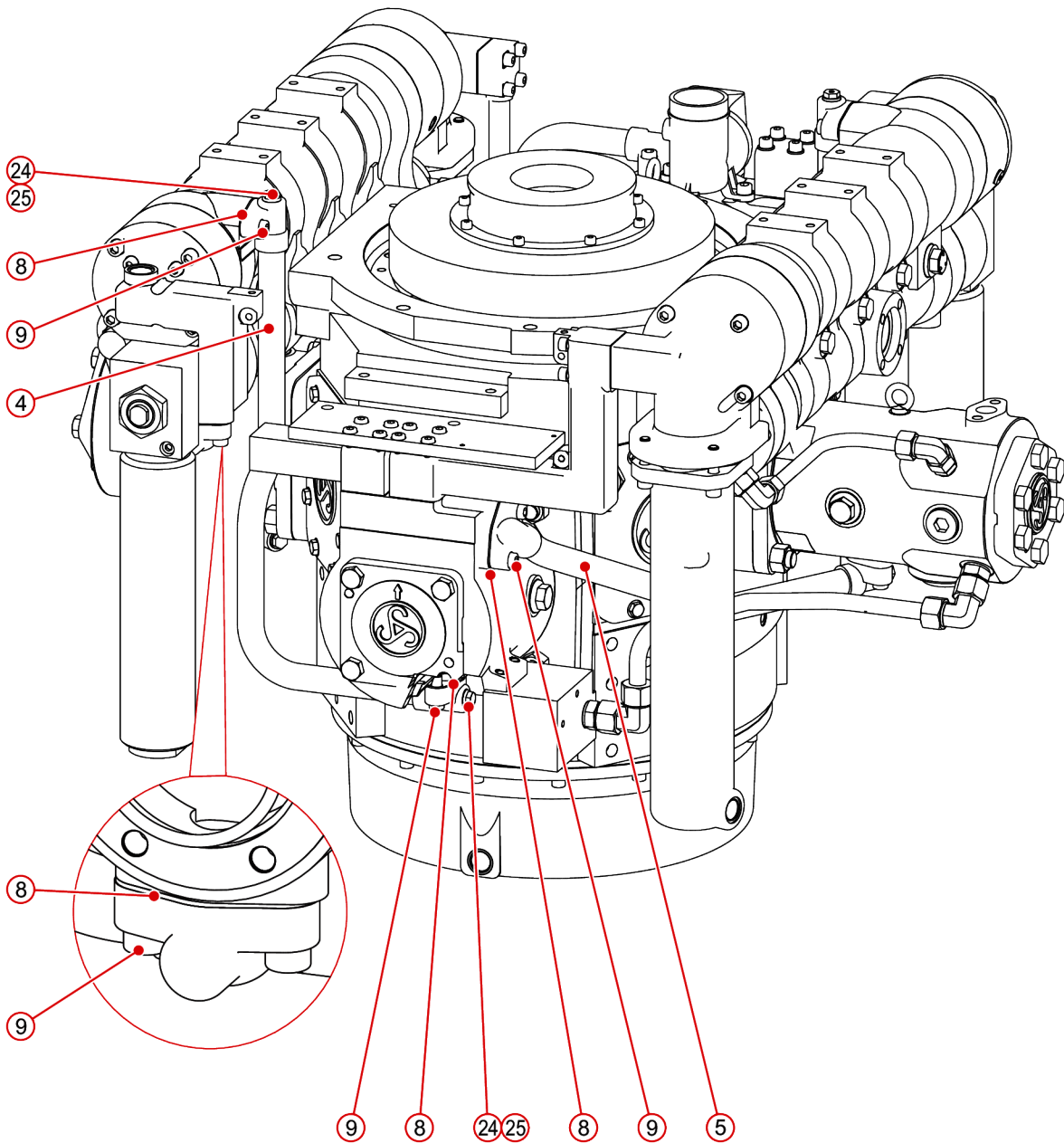
Item no.	Part no.	Designation	Quantity
1	065657	Separator housing	1
2	064870	Separator head	1
5	001010	Plug	1
6	005001	Ring gasket	1
7	030639	O-ring	1
10 ¹⁾	065775	Cover	1
11 ¹⁾	030639	O-ring	1

¹⁾ Part of assembly 065657.



4.26

065318 Cooling water piping compressor (1/2)



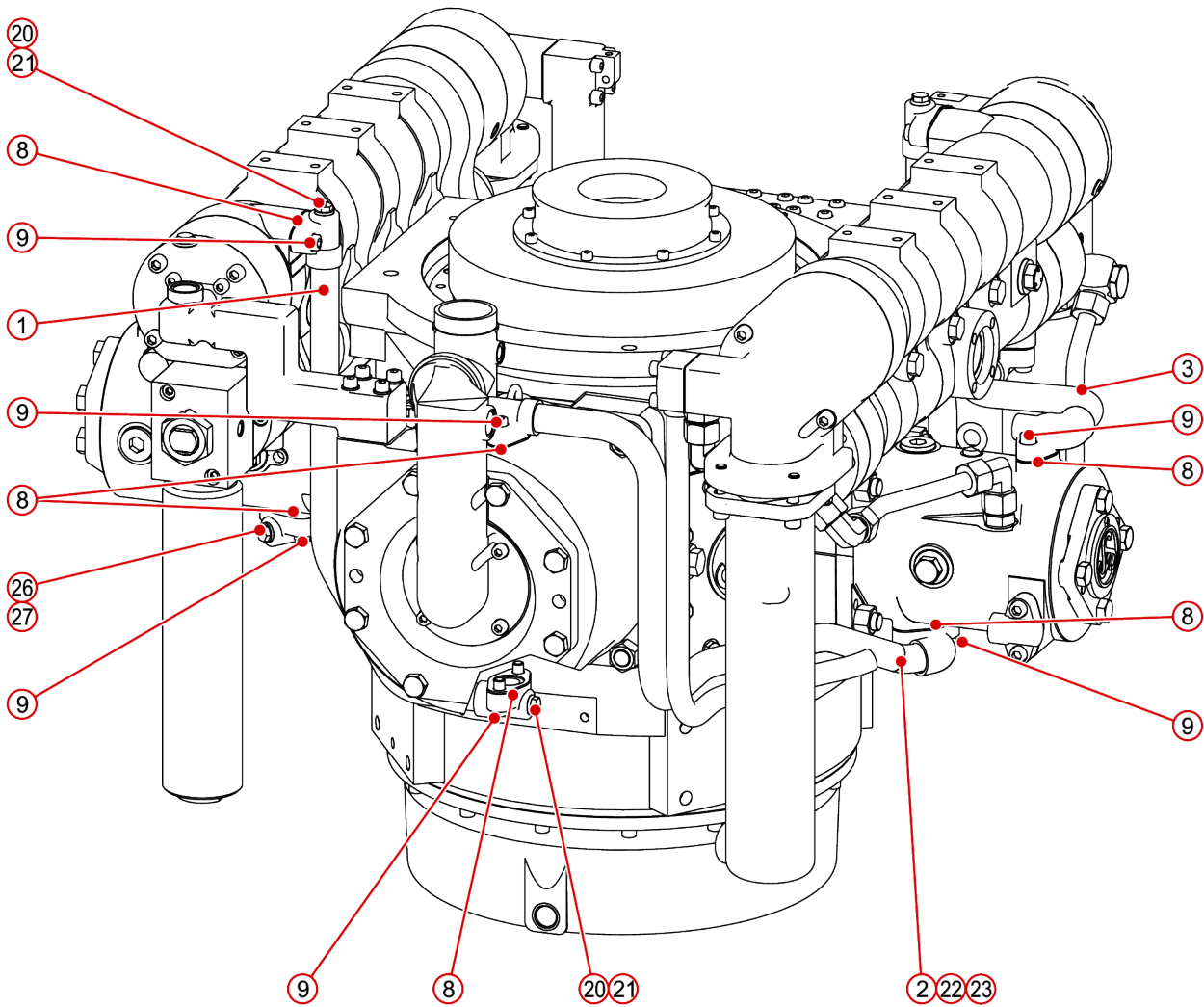
STANDARD ASSEMBLIES

065318 Cooling water piping compressor (1/2)			
Item no.	Part no.	Designation	Quantity
4	065322	Cooling water piping	1
5	065323	Cooling water piping	1
8	053165	Gasket	4
9	040082	Socket head cap screw	8
24 ¹⁾	038002	Plug	2
25 ¹⁾	005006	Ring gasket	2
1) Part of assembly 065322.			



4.27

065318 Cooling water piping compressor (2/2)



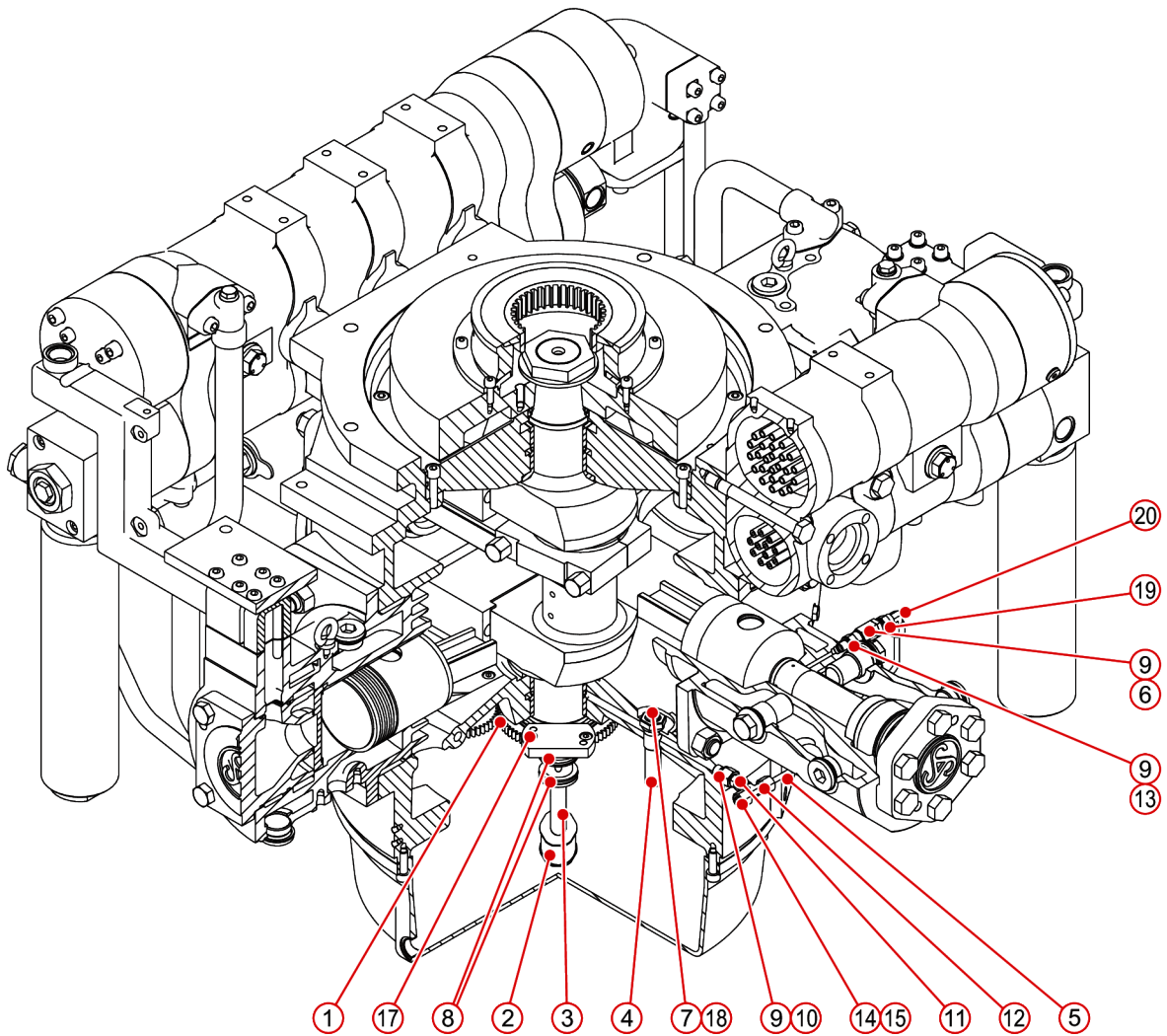
STANDARD ASSEMBLIES

065318 Cooling water piping compressor (2/2)			
Item no.	Part no.	Designation	Quantity
1	065319	Cooling water piping	1
2	065320	Cooling water piping	1
3	065321	Cooling water piping	1
8	053165	Gasket	6
9	040082	Socket head cap screw	12
20 ¹⁾	038002	Plug	2
21 ¹⁾	005006	Ring gasket	2
22 ²⁾	038002	Plug	1
23 ²⁾	005006	Ring gasket	1
26 ³⁾	038002	Plug	1
27 ³⁾	005006	Ring gasket	1
1) Part of assembly 065319.			
2) Part of assembly 065320.			
3) Part of assembly 065323.			



4.28

065093/* Lubricating oil piping assembly



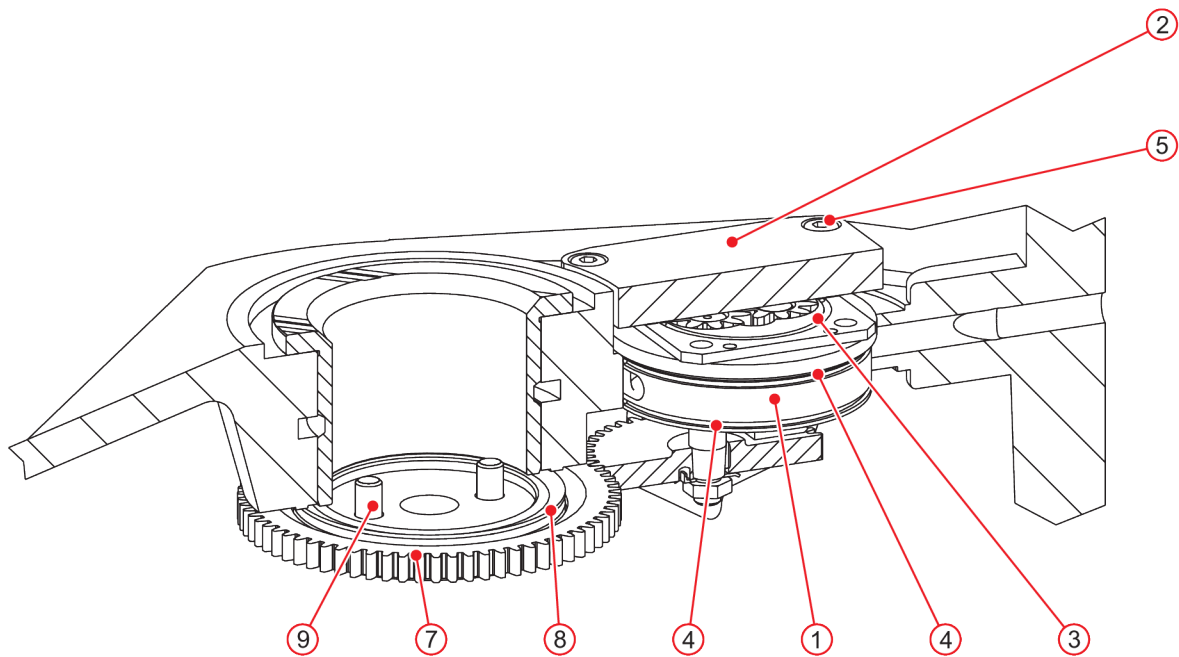
STANDARD ASSEMBLIES

065093/* Lubricating oil piping assembly			
Item no.	Part no.	Designation	Quantity
1	061902	Oil pump drive	1
2	056452	Oil strainer	1
3	061913	Oil pipe	1
4	057916	Pressure relief valve	1
5	065357	Lubricating oil piping	1
6	065456	Connecting piece	1
7	003496	Ring gasket	1
8	032621	O-ring	2
9	005001	Ring gasket	3
10	035369	Reducing union	1
11	038007	Union	1
12	038008	Union	1
13	031193	Non-return valve	1
14	037933	Union nut	1
15	037934	Sleeve	1
17	000456	Socket head cap screw	2
18	001007	Plug	1
19	037931	Union	1
20	037932/41013807	Angle piece	1



4.29

061902 Oil pump drive



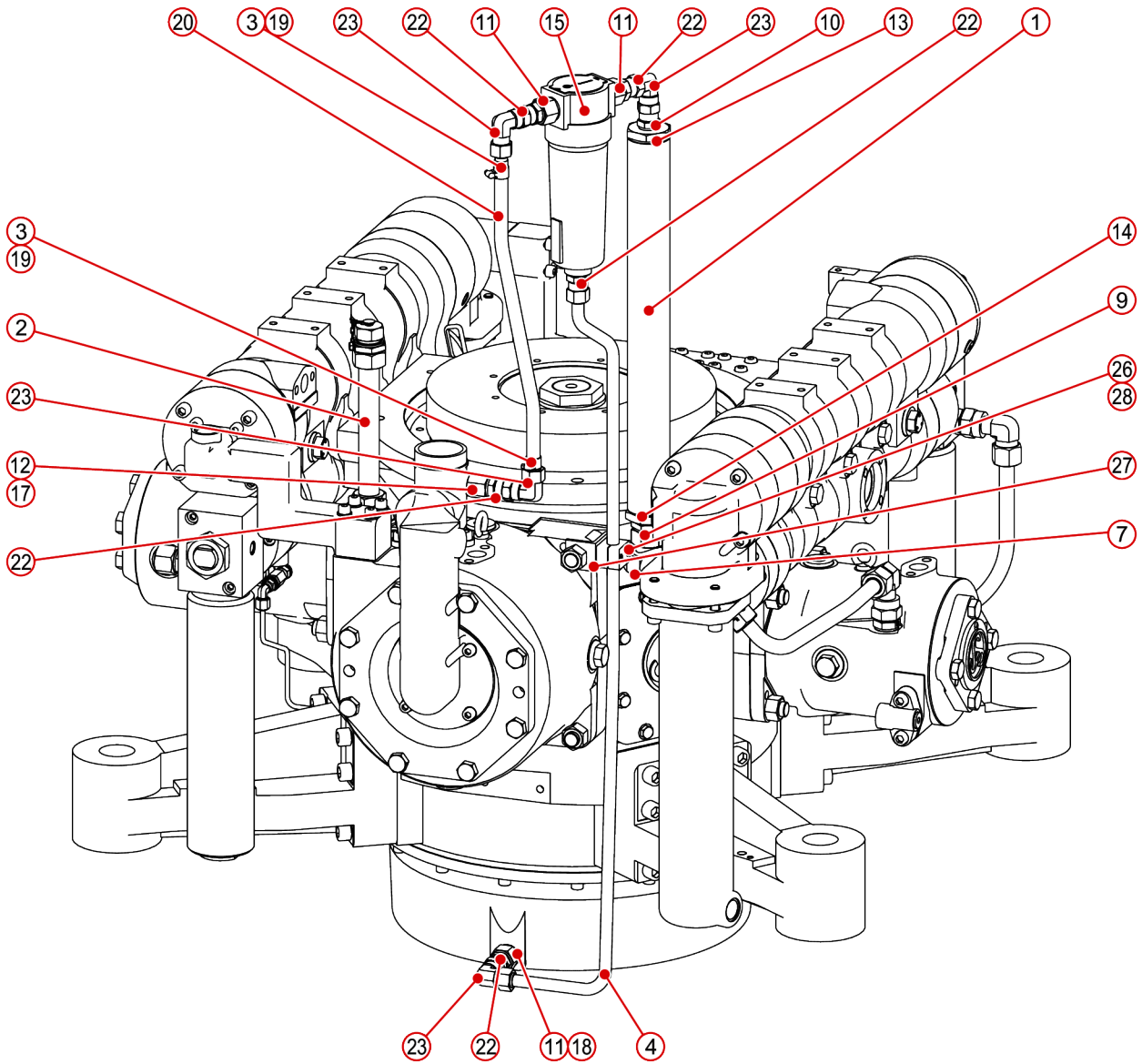
STANDARD ASSEMBLIES

061902 Oil pump drive			
Item no.	Part no.	Designation	Quantity
1	062930	Oil pump	1
2	061904	Cap	1
3	040795	O-ring	1
4	035853	O-ring	2
5	045829	Socket head cap screw	4
7	061903	Drive pinion	1
8	035850	Ring gasket	1
9	037022	Socket head cap screw	2



4.30

065347 Crankcase vent



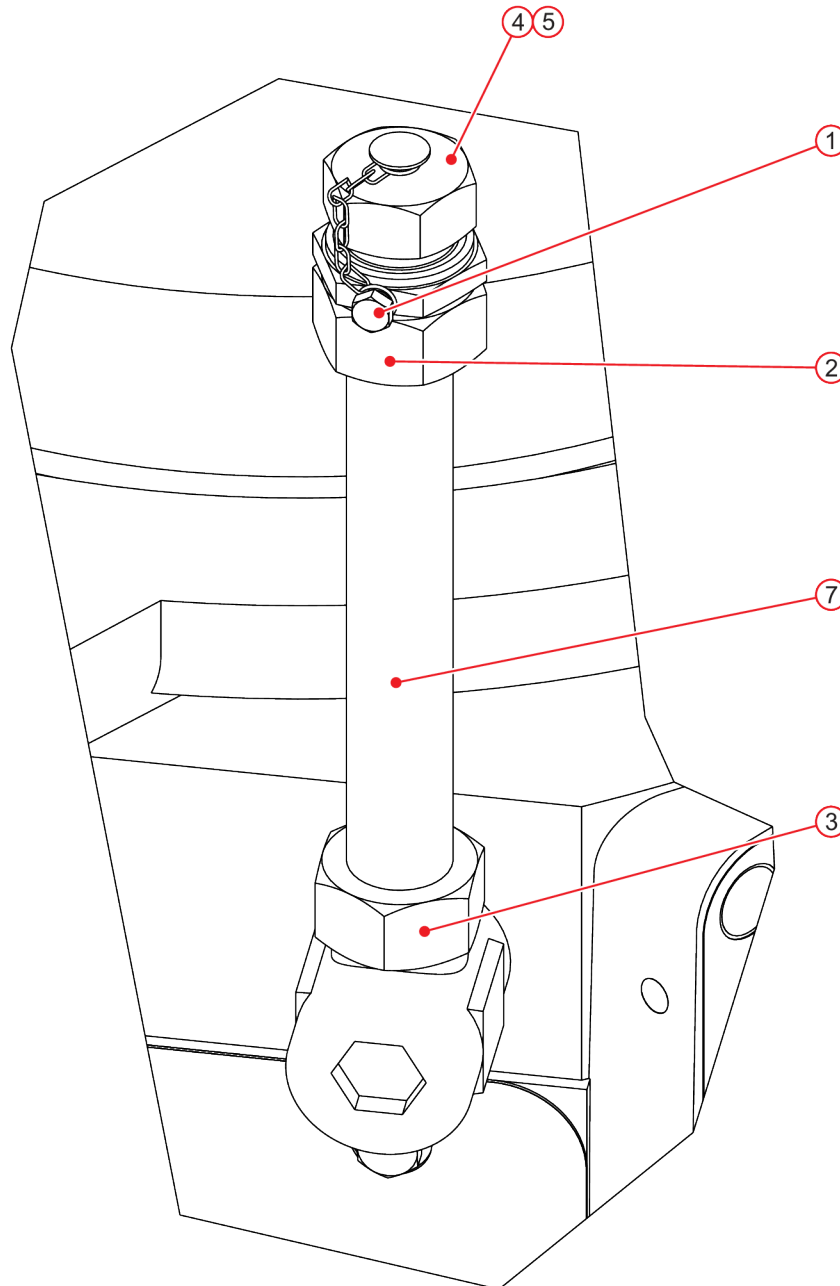
STANDARD ASSEMBLIES

065347 Crankcase vent			
Item no.	Part no.	Designation	Quantity
1	064898	Pipe	1
2	065854	Oil filler	1
3	065810	Pipe	2
4	065628	Pipe	1
7	006193	Union	1
9	005946	Stub adaptor	1
10	038058	Union	1
11	032360	Reducing union	3
12	036950	Reducing union	1
13	006390	Union	1
14	006391	Union	1
15	093419	Condensate separator	1
17	005006	Ring gasket	1
18	005016	Ring gasket	1
19	037845	Ear clamp	2
20	035997	Low pressure hose	1
22	037757	Union	5
23	037758	Angle piece	4
26	032383	Pipe clamp	1
27	065354	Angle piece	1
28	000434	Socket head cap screw	2



4.31

065854 Oil filler



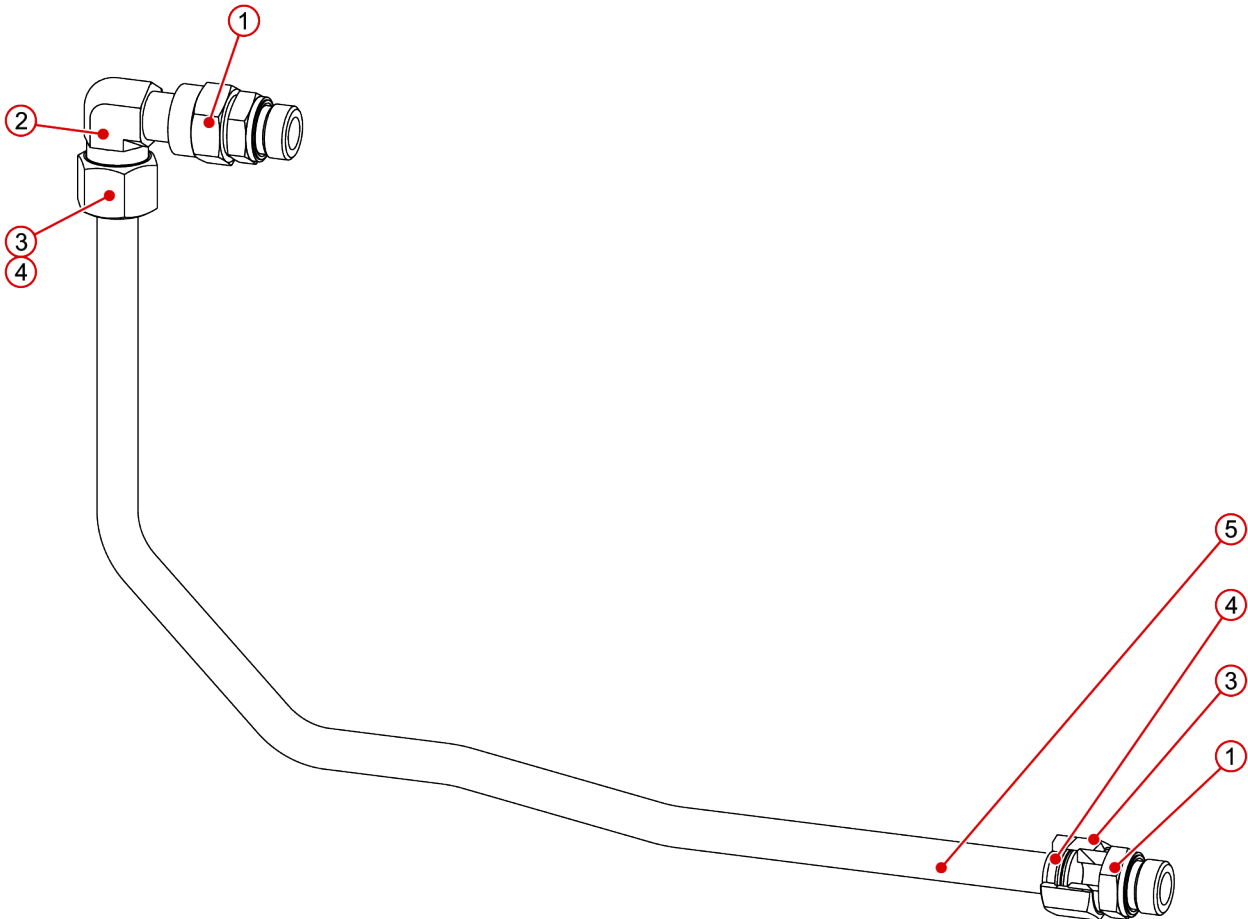
STANDARD ASSEMBLIES

065854 Oil filler			
Item no.	Part no.	Designation	Quantity
1	000015	Hexagon head screw	1
2	004661	Union	1
3	006193	Union	1
4	038059	Cover cap with chain	1
5	030148	O-ring	1
7	008702	Pipe	1



4.32

065565 Pipeline compression stage 4



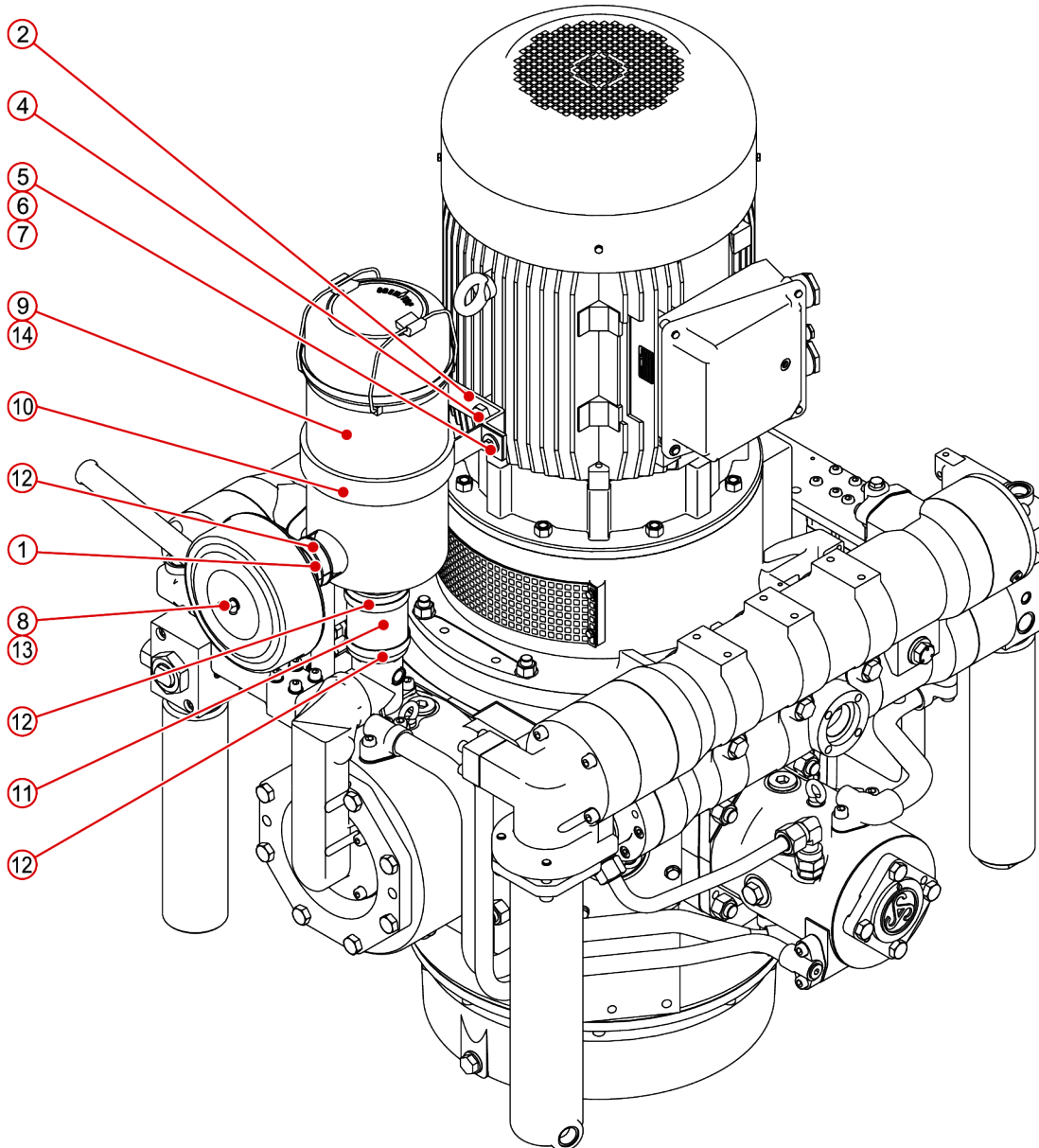
STANDARD ASSEMBLIES

065565 Pipeline compression stage 4			
Item no.	Part no.	Designation	Quantity
1	037753	Union	2
2	037754	Angle piece	1
3	037755	Union nut	2
4	037756	Sleeve	2
5	012765	Pipe	1



4.33

065381 Air filter assembly



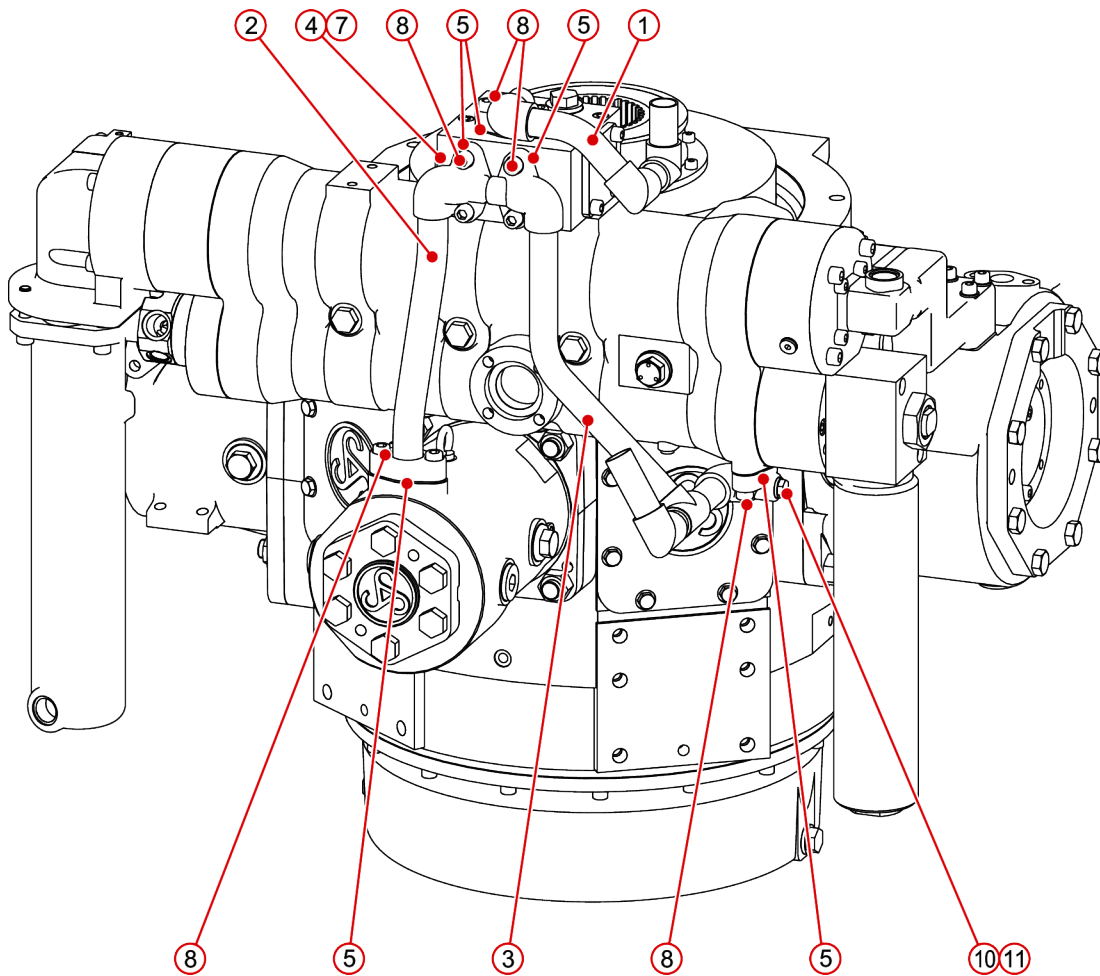
STANDARD ASSEMBLIES

065381 Air filter assembly			
Item no.	Part no.	Designation	Quantity
1	065382	Reducing union	1
2	062362	Stand	1
4	000068	Hexagon head screw	1
5	000028	Hexagon head screw	2
6	002025	Hexagon nut	2
7	037609	Washer	2
8	030911	Air filter	1
9	036060	Dry air filter	1
10	036061	Stand	1
11	036062	Hose	1
12	036063	Hose clamp	3
20 ¹⁾	033291	Filter element	1
21 ²⁾	036331	Filter element	1
1) Part of assembly 030911.			
2) Part of assembly 036060.			



4.34

065633 Compressor unit cooling water piping



STANDARD ASSEMBLIES

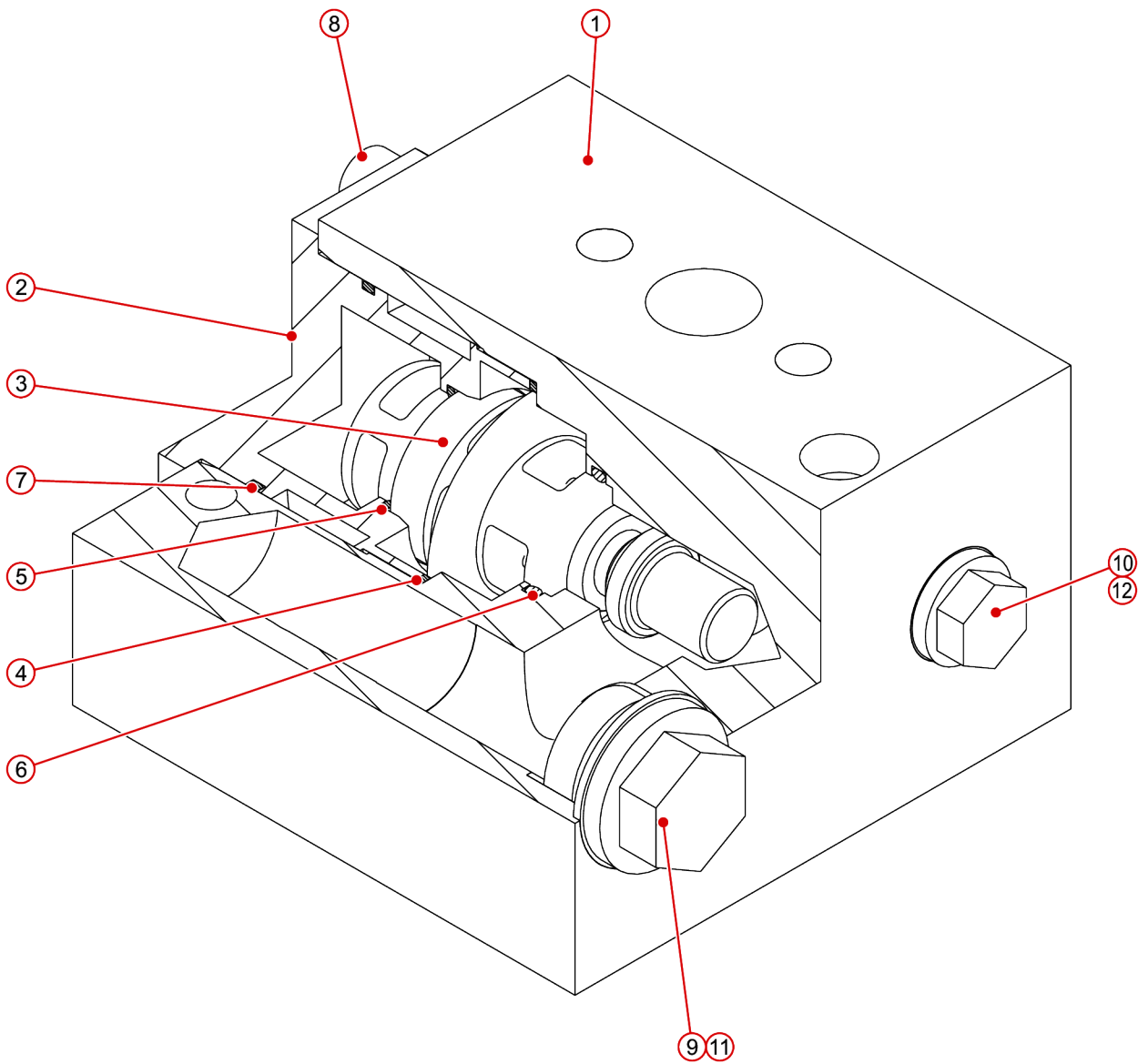
065633 Compressor unit cooling water piping			
Item no.	Part no.	Designation	Quantity
1	065675	Pipeline	1
2	065676	Cooling water piping	1
3	065638	Pipeline	1
4	065632	Cooling water thermostatic valve	1
5	053165	Gasket	5
7	000519	Socket head cap screw	2
8	040082	Socket head cap screw	10
10 ¹⁾	038002	Plug	1
11 ¹⁾	005006	Ring gasket	1

¹⁾ Part of assembly 065638.



4.35

065632 Cooling water thermostatic valve



STANDARD ASSEMBLIES

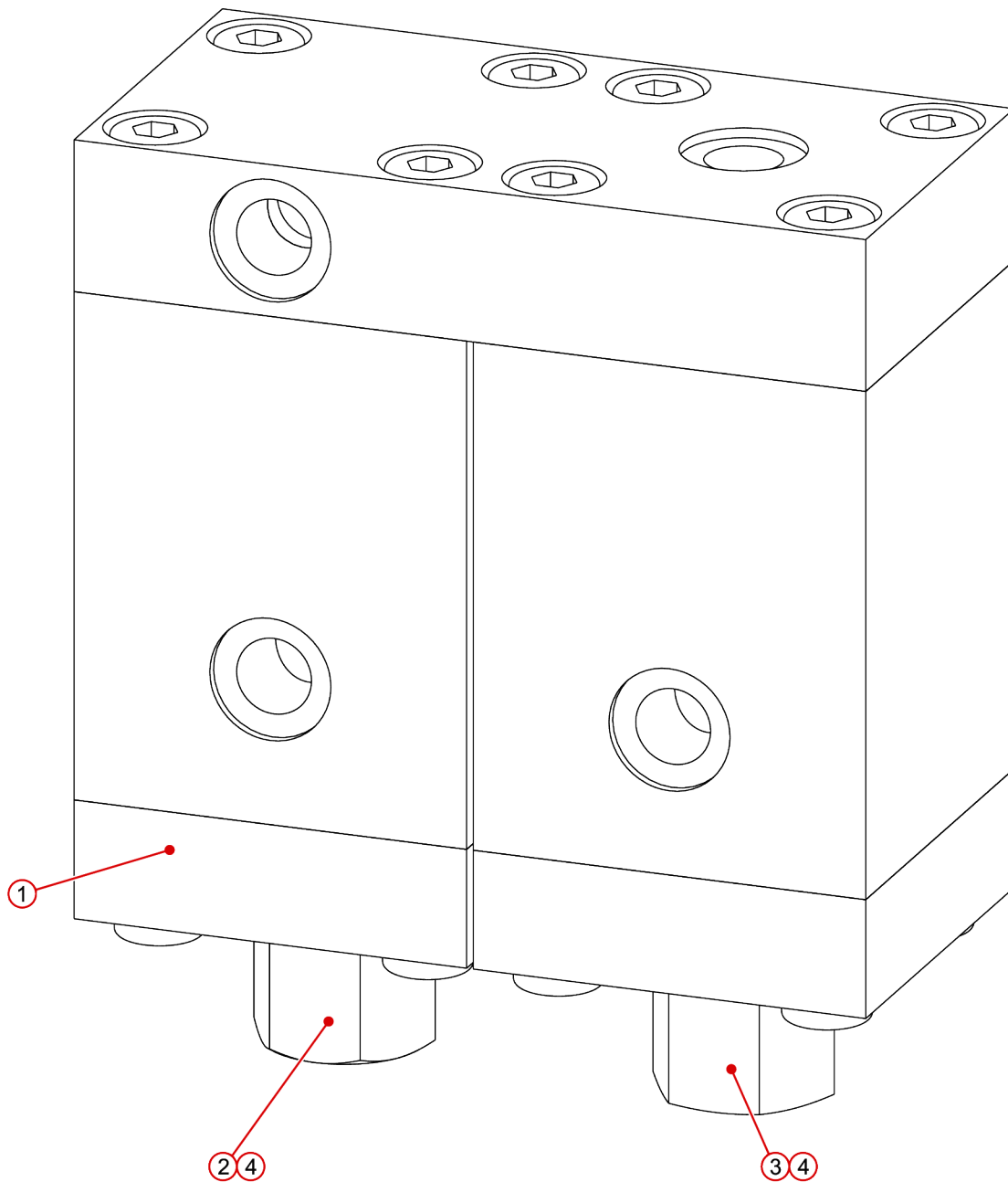
065632 Cooling water thermostatic valve			
Item no.	Part no.	Designation	Quantity
1	065631	Thermostat housing	1
2	065630	Housing flange	1
3	038011	Element	1
4	038010	Housing ring gasket	1
5	038009	O-ring	1
6	030589	O-ring	1
7	030944	O-ring	1
8	032702	Socket head cap screw	4
9	037626	Plug	2
10	033300	Plug	1
11	005023	Ring gasket	2
12	005009	Ring gasket	1



Sauer Compressors

4.36

065385 Pneumatic drain valve assembly



STANDARD ASSEMBLIES

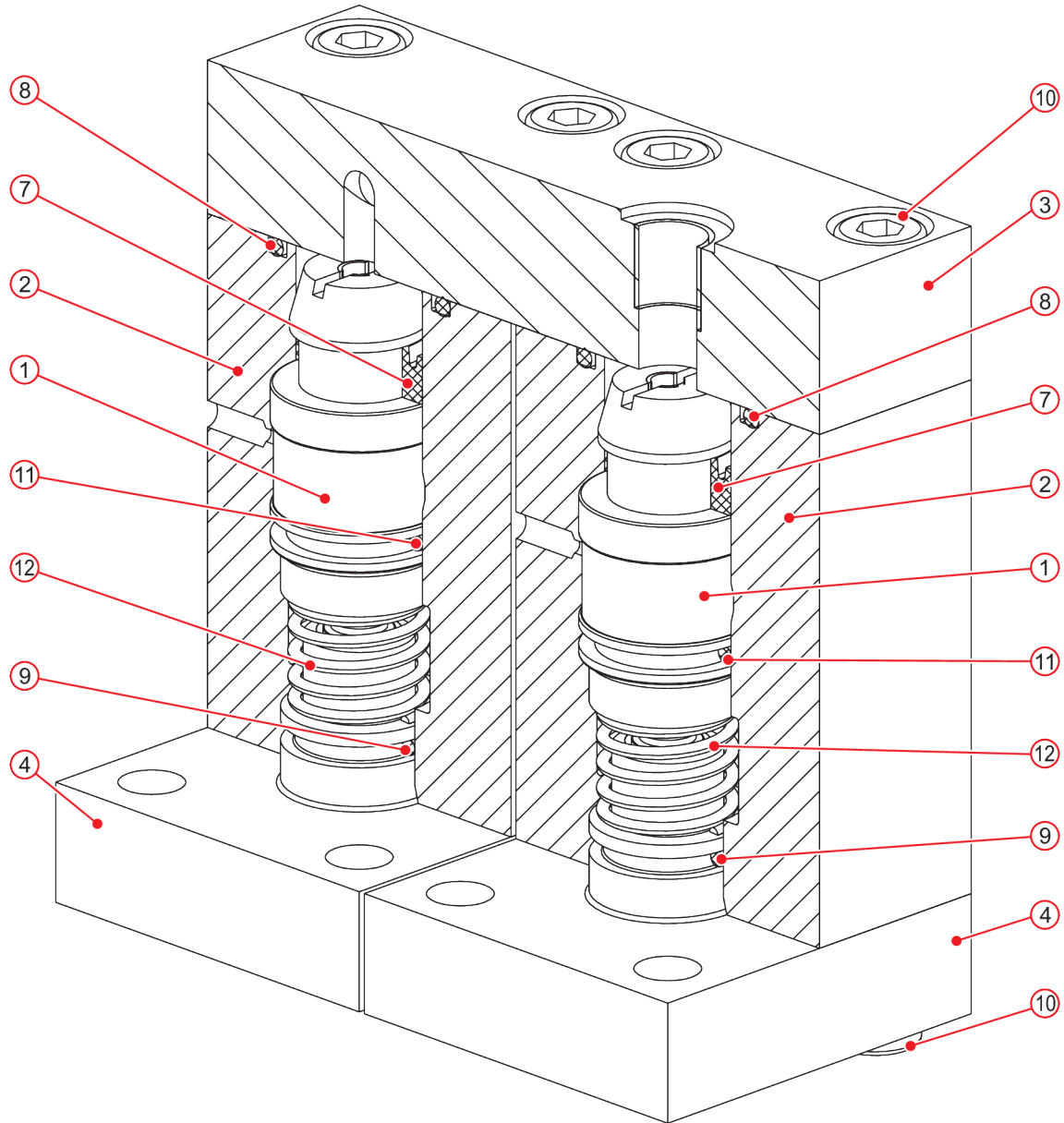
065385 Pneumatic drain valve assembly

Item no.	Part no.	Designation	Quantity
1	061078	Pneumatic drain valve	1
2	061577	Nozzle	1
3	036911	Reducing union	1
4	005001	Ring gasket	2



4.37

061078 Pneumatic drain valve



STANDARD ASSEMBLIES

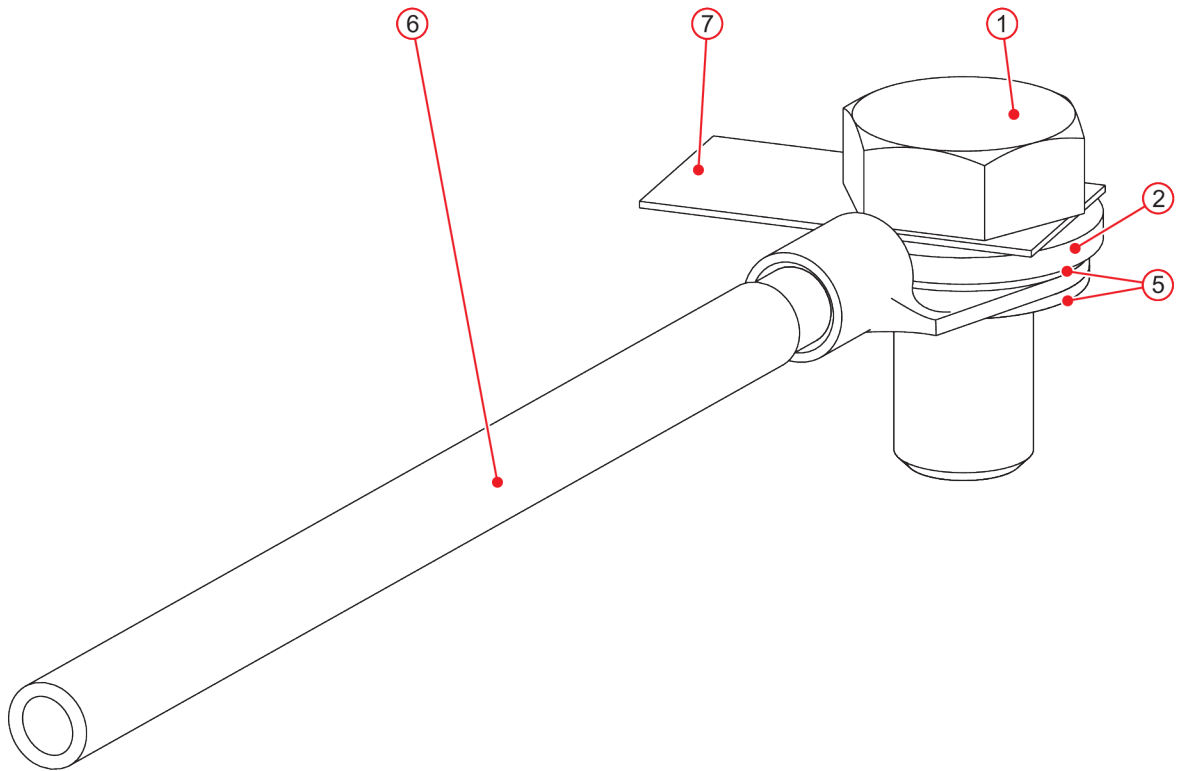
061078 Pneumatic drain valve			
Item no.	Part no.	Designation	Quantity
1	054871	Valve piston	2
2	056719	Valve body	2
3	056721	Housing cover	1
4	056927	Housing flange	2
7	030149	Gasket	2
8	004083	O-ring	2
9	004045	O-ring	2
10	045829	Socket head cap screw	16
11	030340	O-ring	2
12	039791	Spring	2



Sauer Compressors

4.38

062802 Earth



STANDARD ASSEMBLIES

062802 Earth			
Item no.	Part no.	Designation	Quantity
1	000037	Hexagon head screw	3
2	002159	Washer	5
4	002033	Hexagon nut	1
5	003129	Lamellar disc	14
6	038681	Grounding cable	1
7	-	Earth lug	1



Sauer Compressors

5 Index

1, 2, 3 ...

000013 Hexagon head screw	13, 15	002027 Hexagon nut	47, 49
000015 Hexagon head screw	73	002033 Hexagon nut	87
000028 Hexagon head screw	77	002046 Hexagon nut	15
000037 Hexagon head screw	87	002063 Hexagon nut	21
000038 Hexagon head screw	21	002146 Washer	13, 15
000068 Hexagon head screw	77	002156 Washer	53
000127 Hexagon head screw	56	002159 Washer	87
000184 Hexagon head screw	40, 42	002544 Nose ring	34
000267 Lifting eye bolt	38, 40, 42, 44	002563 Nose ring	33
000434 Socket head cap screw	71	002578 Slotted oil control ring	34
000456 Socket head cap screw	67	002663 Rectangular ring	34
000464 Socket head cap screw	22	002716 Rectangular ring	30
000497 Socket head cap screw	51, 53	002755 Rectangular ring	33
000499 Socket head cap screw	21, 53	002985 Circlip	30, 33, 34, 37
000504 Socket head cap screw	47, 49	003099 Spring washer	38
000505 Socket head cap screw	21, 55	003129 Lamellar disc	87
000514 Socket head cap screw	51, 53	003152 Straight pin	27
000516 Socket head cap screw	47, 49	003496 Ring gasket	47, 49, 58, 67
000518 Socket head cap screw	51	004045 O-ring	85
000519 Socket head cap screw	79	004083 O-ring	85
000529 Socket head cap screw	51, 53	004340 O-ring	51
000535 Socket head cap screw	53	004349 O-ring	51, 53
000538 Socket head cap screw	51, 53	004661 Union	73
000543 Socket head cap screw	53	005001 Ring gasket	47, 49, 51, 60, 67, 83
000559 Socket head cap screw	47, 49	005006 Ring gasket	63, 65, 71, 79
000561 Socket head cap screw	51, 53	005009 Ring gasket	21, 55, 81
000565 Socket head cap screw	22	005016 Gasket	56
000602 Socket head cap screw	15	005016 Ring gasket	13, 21, 53, 55, 71
000969 Plug	47, 49	005023 Ring gasket	38, 40, 42, 44, 47, 49, 51, 53, 81
000977 Plug	38, 40, 42, 44	005262 Hexagon head screw	38
001007 Plug	67	005946 Stub adaptor	71
001008 Plug	58	006193 Union	71, 73
001010 Plug	60	006390 Union	71
001013 Plug	65	006391 Union	71
001523 Stud	15	008702 Pipe	73
001531 Stud	15	012438 O-ring	58
001621 Hexagon nut	15	012455 O-ring	53
002004 Hexagon nut	51, 53	012711 Socket head cap screw	56
002025 Hexagon nut	77	012765 Pipe	75



Sauer Compressors

030148 O-ring	73	035893 O-ring	44
030149 Gasket	85	035928 Eye bolt	15
030152 O-ring	56	035962 Double bevelled oil control ring	30
030340 O-ring	85	035965 Double bevelled oil control ring	33
030509 Plug	21	035970 O-ring	40, 42
030589 O-ring	81	035991 Solenoid drain valve	13
030639 O-ring	58, 60	035997 Low pressure hose	71
030743 Shaft seal	21	036060 Dry air filter	77
030911 Air filter	77	036061 Stand	77
030912 O-ring	38	036062 Hose	77
030944 O-ring	81	036063 Hose clamp	77
031109 O-ring	47, 49, 53	036078 Gudgeon pin	24, 30
031130 O-ring	47, 49	036331 Filter element	77
031153 O-ring	51, 53	036911 Reducing union	83
031193 Non-return valve	67	036934 Plug	53
032360 Reducing union	71	036950 Reducing union	71
032383 Pipe clamp	71	037022 Socket head cap screw	69
032621 O-ring	67	037508 Valve	38
032702 Socket head cap screw	81	037520 Nose ring	30
033291 Filter element	77	037596 Plug	56
033300 Plug	81	037597 Reducing union	51
033806 Plug	47, 49, 51	037609 Washer	77
035162 Solenoid drain valve	13	037626 Plug	81
035299 Pressure switch	13	037634 Rectangular ring	37
035369 Reducing union	67	037753 Union	53, 55, 75
035785 Piston	30	037754 Angle piece	53, 75
035787 Valve	40, 42	037755 Union nut	55, 75
035793 Valve	44	037756 Parflange sleeve	55
035819 O-ring	44	037756 Sleeve	75
035820 Back-up ring	44	037757 Union	71
035823 Needle roller bearing	24, 27, 29, 30, 34, 37	037758 Angle piece	71
035825 Stud	21	037845 Ear clamp	71
035826 Ring gasket	44	037846 Shock mounts	15
035828 Flexible coupling	22	037881 Coupling hub	15
035837 O-ring	38, 40, 42	037881 Straight pin	15
035842 O-ring	21	037884 Ground plate	15
035850 Ring gasket	69	037885 Cover plate	15
035853 O-ring	69	037931 Union	67
035857 O-ring	47	037932/41013807 Angle piece	67
035858 O-ring	49	037933 Union nut	67
035863 Back-up ring	53	037934 Sleeve	67
		038002 Plug	63, 65, 79

038007 Union	67	061729 Bearing bracket	21
038008 Union	67	061732 Valve cover	40, 42
038009 O-ring	81	061742 Gudgeon pin	27, 29, 33, 34, 37
038010 Housing ring gasket	81	061746 Separator head	56
038011 Element	81	061750 Cooler insert compression stage 4 . . .	47
038055 Ring gasket	55	061767 Piston	33
038058 Union	71	061768 Piston assembly compression stage 2	17, 32
038059 Cover cap with chain	73	061772 Oil sump	21
038187 Hexagon head screw	47, 49	061793 Support ring	47, 49
038681 Grounding cable	87	061794 Gasket	47, 49
039791 Spring	85	061801 Cooler insert compression stage 1 . . .	47
040082 Socket head cap screw	63, 65, 79	061801 Cooler insert compression stage 2 . . .	49
040795 O-ring	69	061813 Cylinder	38
041010 Final pressure safety valve	13	061822 Sacrificial zinc anode	38, 40, 42, 44
041019 Safety valve compression stage 3 . . .	13	061828 Cylinder assembly compression stage 3	17, 42
041257 Adaptor	13	061844 Gasket	44
041975 Safety valve compression stage 1 . . .	13	061848 Crankshaft assembly	17, 22
041979 Safety valve compression stage 2 . . .	13	061849 Crankshaft	22
045829 Socket head cap screw	69, 85	061850 Balance weight	22
051883 Crankcase inspection cover	21	061851 Flywheel	22
051885 Gasket	21	061857 Connecting rod bearing	24, 27, 29
053165 Gasket	63, 65, 79	061858 Cylinder liner	38
053166 Gasket	53	061859 Cylinder liner	40, 42
053208 Baffle cone	56	061860 Main bearing lining	21
054871 Valve piston	85	061871 Cylinder	42
056452 Oil strainer	67	061871 Cylinder assembly	40
056719 Valve body	85	061872 Cylinder assembly compression stage 2	17, 40
056721 Housing cover	85	061878 Gasket	47, 49
056772 Nameplate	13	061879 Support ring	47, 49
056927 Housing flange	85	061880 Support ring	47, 49
057916 Pressure relief valve	67	061884 Separator insert	56
061078 Pneumatic drain valve	83, 85	061885 Crankcase	19
061577 Nozzle	83	061886 Crankcase	21
061659 Connecting rod	29	061888 Dipstick pipe	21
061660 Connecting rod assembly, compres- sion stage 3, 4	17, 28	061889 Gasket	21
061661 Connecting rod	24	061890 Gasket	21
061662 Connecting rod assembly compres- sion stage 2	17, 26	061891 Gasket	21
061676 Connecting rod bolt	24, 27, 29	061902 Oil pump drive	67, 69
061707 Cylinder	38	061903 Drive pinion	69
061716 Cylinder	40, 42		



Sauer Compressors

061904 Cap	69	062495 Piston assembly compression stage 1	19, 30
061913 Oil pipe	67	062653 Cooler housing	47, 49
061916 Hexagon head screw	19	062654 Cooler compression stages 1, 4	19, 47
061940 Cooler insert compression stage 3	49	062655 Cooler compression stages 2, 3	19, 49
061944 Gasket	47, 49	062698 Bursting disc	47, 49
061946 Connecting rod	27	062789 Cover sheet	15
061947 Thrust washer	27	062802 Earth	13, 87
061954 Pressure channel compression stage 1	53	062930 Oil pump	69
061955 Suction channel compression stage 2	51	064628 Thread fitting	38
061956 Pressure channel compression stage 2	51	064629 Stand	38
061958 Condensate separator compression stage 1	55	064817 Condensate separator compression stage 3	51, 58
061958 Condensate separator compression stage 1, 2	56	064818 Separator head	58
061958 Condensate separator compression stage 2	53	064820 Valve cover	38
061959 Gasket	56	064827 Dipstick	21
061960 Suction pipe compression stage 3	53	064869 Condensate separator compression stage 4	55, 60
061966 Gasket	51, 53	064870 Separator head	60
062001 Inlet pressure manifold	53	064898 Pipe	71
062002 Filter flange	53	064915 Compressor foot	15
062093 Hexagon nut	22	064937 Cylinder assembly compression stage 1	19, 38
062177 Connecting rod assembly compression stage 1	17, 24	064945 Mount	13
062185 Valve cover	44	065089 Compressor	15
062189 Condensate collection container	56	065090 Piston assembly compression stage 3	17, 34
062197 Bell-housing	13	065091 Piston	34
062205 Baffle plate	21	065092 Pressure line	19, 50, 52, 55
062227 Stand	51	065093 Lubricating oil piping	17
062229 Piston	37	065093/* Lubricating oil piping assembly	66
062230 Cylinder liner	44	065094 Pressure line compression stage 3	53
062231 Cylinder	44	065095 Suction pipe compression stage 4	55
062232 Cylinder assembly compression stage 4	19, 44	065096 Pressure line compression stage 4	55
062233 Hexagon head screw	44	065318 Compressor cooling water piping	63, 65
062234 Piston assembly compression stage 4	19, 37	065318 Cooling water piping	19
062322 Gasket	51	065319 Cooling water piping	65
062361 Cover sheet	13	065320 Cooling water piping	65
062362 Stand	77	065321 Cooling water piping	65
062409 Union	15	065322 Cooling water piping	63
		065323 Cooling water piping	63
		065347 Crankcase vent	19, 70
		065354 Angle piece	71

065357 Pipe	67
065381 Air filter assembly	13, 77
065382 Reducing union	77
065385 Pneumatic drain valve	13
065385 Pneumatic drain valve assembly	82
065456 Connecting piece	67
065565 Pipeline	15
065565 Pipeline compression stage 4	74
065595 Sacrificial zinc anode	47, 49
065628 Pipe	71
065630 Housing flange	81
065631 Thermostat housing	81
065632 Cooling water thermostatic valve	79, 80
065633 Compressor unit cooling water piping	79
065633 Cooling water piping	15
065638 Pipeline	79
065656 Separator housing	58
065657 Separator housing	60
065675 Pipeline	79
065676 Cooling water piping	79
065766 Cover	58
065775 Cover	60
065810 Pipe	71
065854 Oil filler	71
065985 Bursting disc flange	47, 49
065989 Spacer bolt	47, 49
093419 Condensate separator	71

E

Earth lug	87
---------------------	----

M

Maintenance service	9
-------------------------------	---

S

Sauer-Service	9
Socket head cap screw	15